

ILLUSTRATED
PARTS LIST
FOR

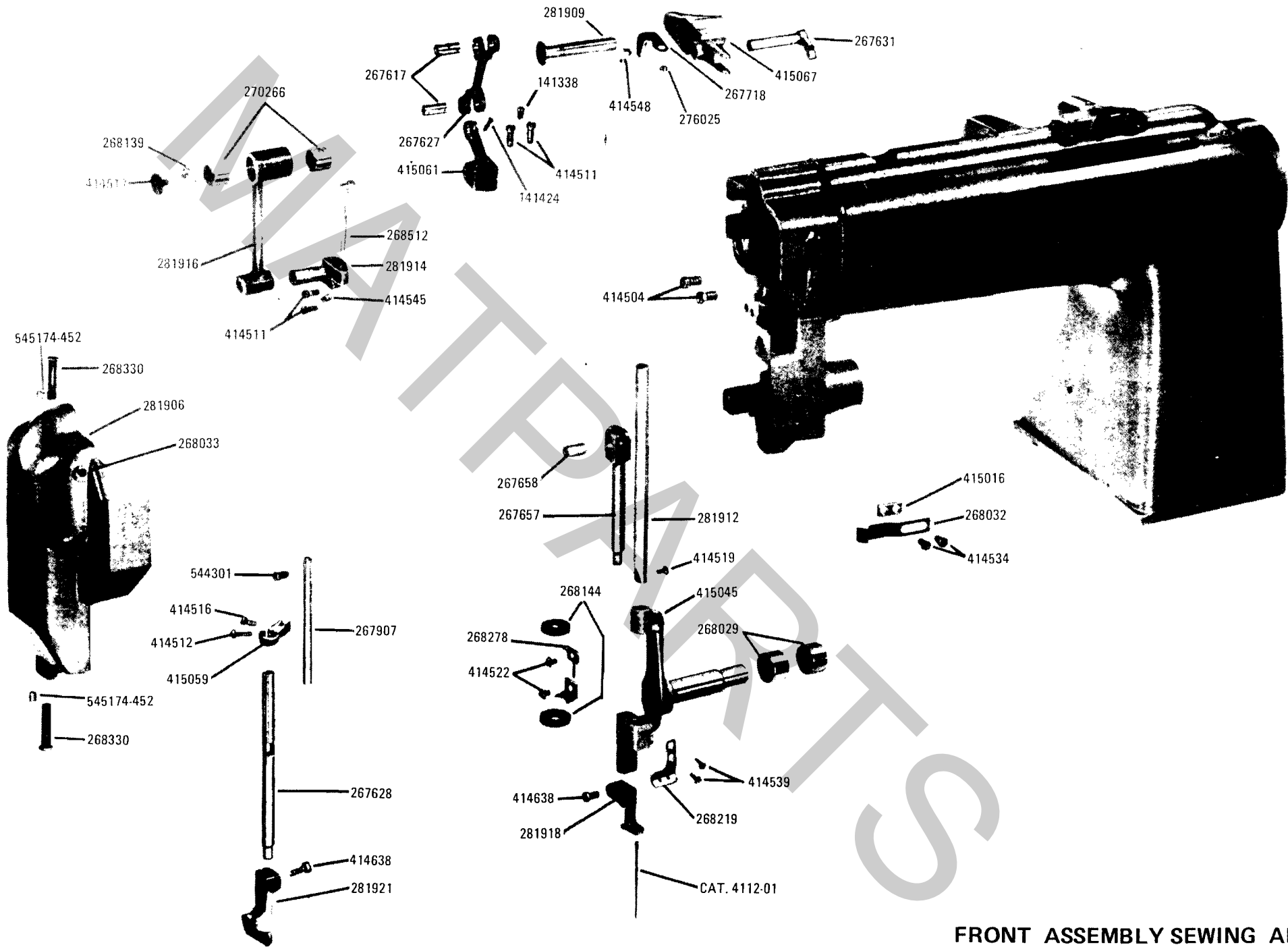
TECMIC

MODEL "M-300U"

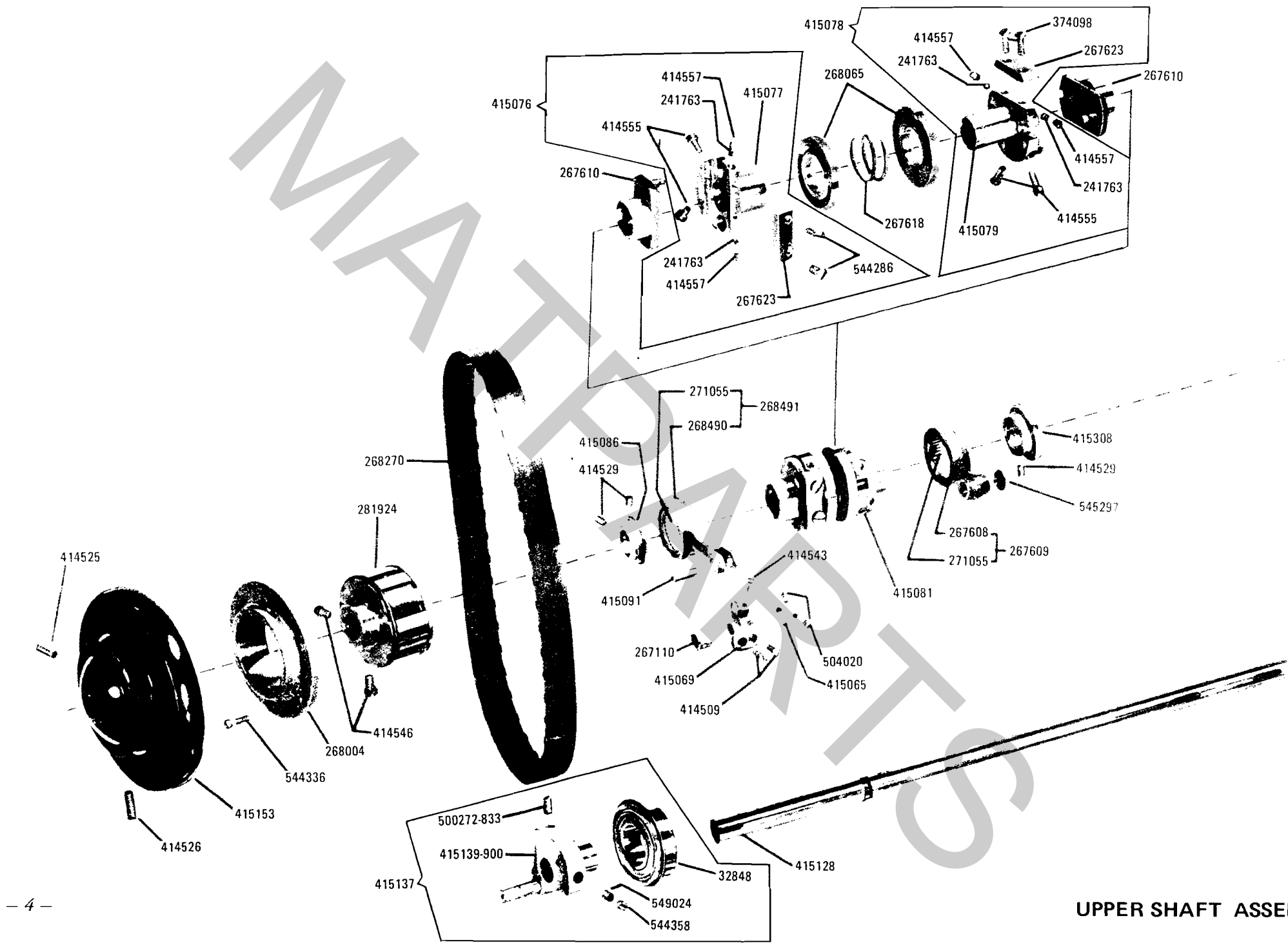


MATSUSHITA INDUSTRIAL CO., LTD.

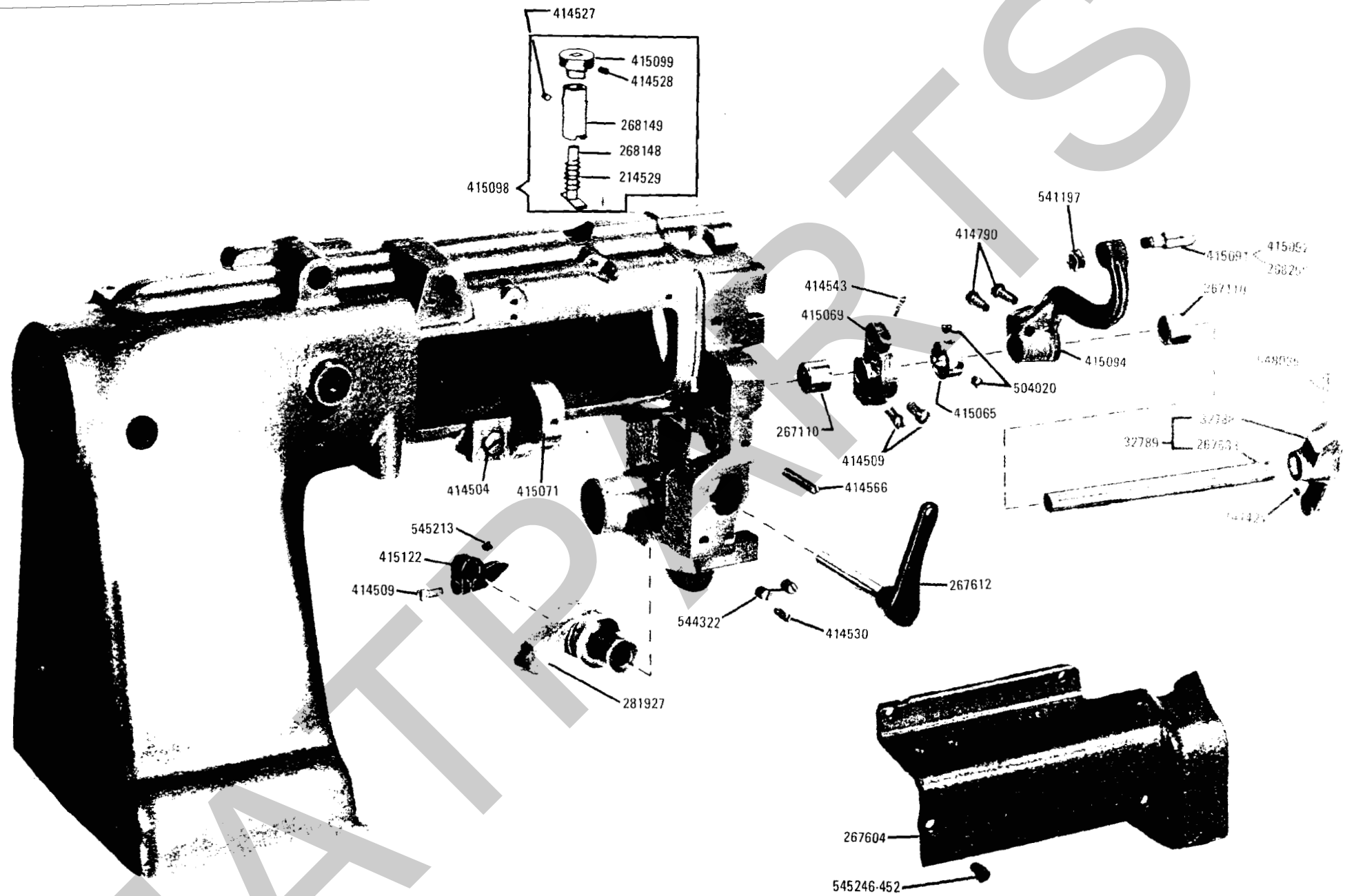
1-24, 7-Chome, Uehonmachi
Tennoji-ku, Osaka, Japan
Telephones : (06) 774-6015
Fax (06) 773-0436
Telex : 5277913 MICOSA J



PART NO.	DESCRIPTION	PART NO.	DESCRIPTION
141338	LIFTING CRANK SET SCREW	415067	LIFTING LEVER WITH TWO 267093
141424	LIFTING LINK HINGE PIN SET SCREW (2)	545147-452	FACE PLATE HINGE STUDE SET SCREW (2)
267617	LIFTING LINK HINGE PIN WITH 268258 (2)	CAT No. 4112-01	NEEDLE
267627	LIFTING LINK		
267631	LIFTING PRESSER BAR LIFTING CRANK WITH 268258		
267657	VIBRATING PRESSER BAR		
267658	VIBRATING PRESSER BAR HINGE STUD		
267718	PRESSER BAR SPRING ARM BEARING RETAINER		
267907	LIFTING PRESSER BAR GUIDE ROD		
268029	NEEDLE BAR ROCK FRAME NEEDLE BEARING (2)		
268032	FACE PLATE LOCK SPRING		
268033	FACE PLATE LOCK STUD (2)		
268139	NEEDLE BAR CONNECTING LINK CAP WASHER		
268144	NEEDLE BAR OILING FELT (2)		
268219	NEEDLE BAR ROCK FRAME THREAD GUIDE		
268278	NEEDLE BAR OILING FELT HOLDER (2)		
268330	FACE PLATE HINGE STUD (2)		
268512	NEEDLE THREAD GUIDE		
270266	NEEDLE BAR CONNECTING LINK NEEDLE BEARING (2)		
276025	PRESSER BAR SPRING ARM BALL BEARING		
281906	FACE PLATE		
281909	LIFTING LEVER HINGE STUD		
281912	NEEDLE BAR		
281914	NEEDLE BAR CONNECTING STUD WITH 202330, 414545 AND TWO 414511		
281916	NEEDLE BAR CONNECTING LINK WITH TWO 270266		
281918	VIBRATING PRESSER FOOT WITH 414638		
414504	LIFTING ROCK SHAFT BRACKET SCREW (2)		
414511	LIFTING CRANK PINCH SCREW (2)		
414511	NEEDLE BAR CONNECTING STUD PINCH SCREW (2)		
414517	NEEDLE BAR CONNECTING LINK CAP WASHER SCREW		
414519	NEEDLE SET SCREW		
414522	NEEDLE BAR OILING FELT HOLDER SCREW (2)		
414534	FACE PLATE LOCK SPRING SCREW (2)		
414539	NEEDLE BAR ROCK FRAME THREAD GUIDE SCREW (2)		
414545	NEEDLE THREAD GUIDE SET SCREW		
414548	PRESSER BAR SPRING ARM BALL BEARING RETAINER		
414638	VIBRATING PRESSER FOOT PINCH SCREW		
415016	FACE PLATE ROCK SPRING PLATE		
415045	NEEDLE BAR ROCK FRAME		
415061	LIFTING CRANK WITH 141424, 141338 AND TWO 414511		

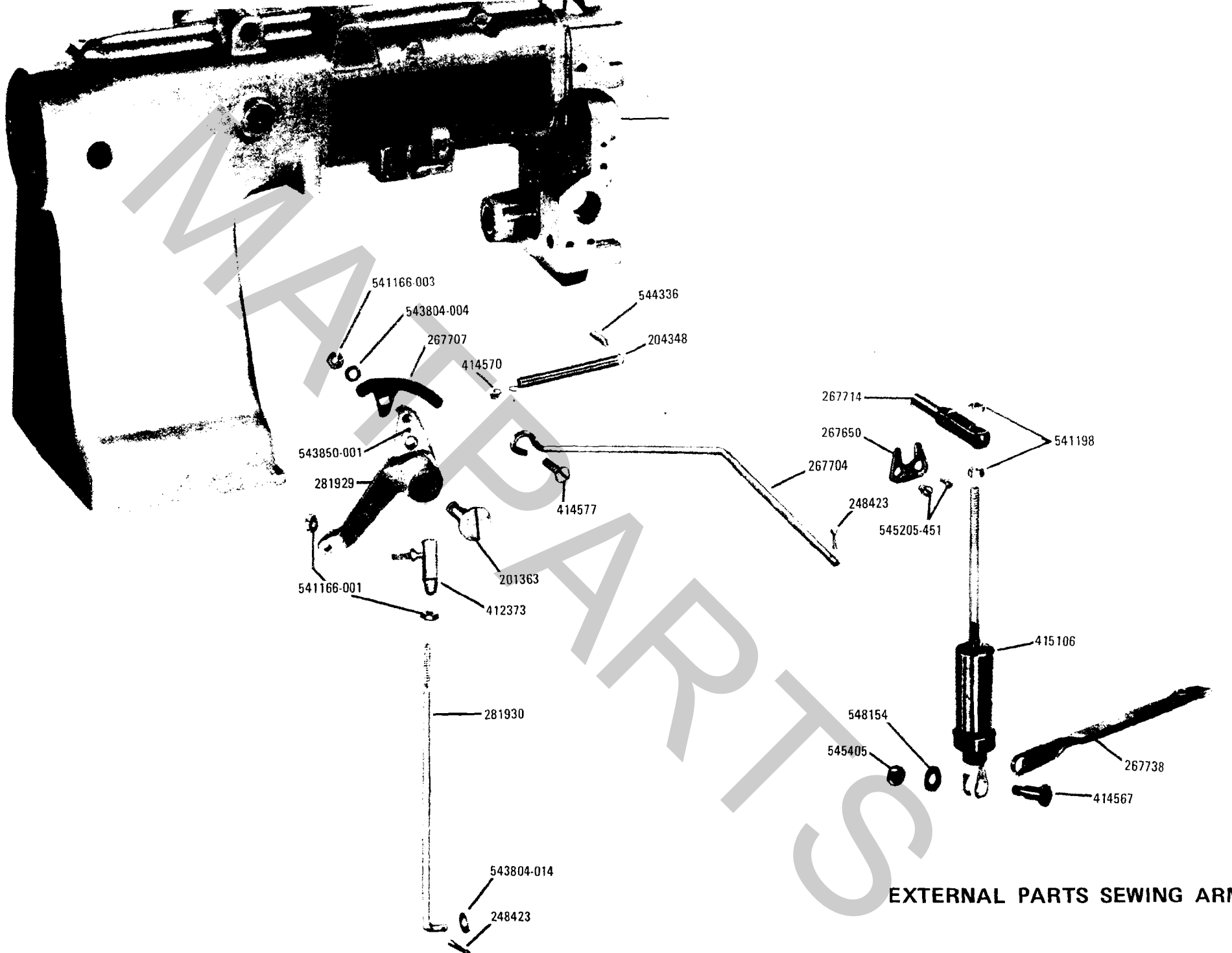


PART NO.	DESCRIPTION	PART NO.	DESCRIPTION
32848	ARM SHAFT BALL BEARING (FRONT)	415076	LIFTING ECCENTRIC FLANGE 415077 WITH 267623 AND TWO EACH 241763, 414555, 414557 AND 544286
241763	LIFTING ECCENTRIC FRICTION PLATE SCREW SET SCREW PACKING (2)	415077	LIFTING ECCENTRIC FLANGE
241763	NEEDLE BAR ROCK FRAME DRIVING ECCENTRIC FRICTION PLATE SCREW SET SCREW PACKING (2)	415078	NEEDLE BAR ROCK FRAME DRIVING ECCENTRIC FRANGE 415079 WITH 267623 AND TWO EACH 241763, 414555, 414557 AND 374098
267110	LIFTING ROCK SHAFT NEEDLE BEARING (2)	415079	NEEDLE BAR ROCK FRAME DRIVING ECCENTRIC FLANGE
267608	NEEDLE BAR ROCK FRAME DRIVING CONNECTION	415081	LIFTING ECCENTRIC AND NEEDLE BAR ROCK FRAME DRIVING ECCENTRIC CPL. NOS., 267618, 415076, 415078 AND TWO EACH 267610 AND 268065
267609	NEEDLE BAR ROCK FRAME DRIVING CONNECTION 267608, 271055	415086	LIFTING ECCENTRIC SPACING COLLAR WITH TWO 414529
267610	NEEDLE BAR ROCK FRAME DRIVING ECCENTRIC	415091	NEEDLE BAR ROCK FRAME DRIVING CONNECTION HINGE STUD
267610	LIFTING ECCENTRIC	415128	ARM SHAFT WITH 268009, 268044, 268264 TWO EACH 268214 AND 414578
267618	LIFTING ECCENTRIC ADJUSTING DISC SPRING	415137	NEEDLE BAR CRANK CPL. 415139-900 WITH 32848
267623	NEEDLE BAR ROCK FRAME DRIVING ECCENTRIC FRICTION PLATE	415139-900	NEEDLE BAR CRANK WITH 500272-833, 544358 AND 549024
267623	LIFTING ECCENTRIC FRICTION PLATE	415153	MACHINE PULLEY CPL.
268004	ARM SHAFT BALL BEARING (BACK) HOUSING	415308	LIFTING ECCENTRIC SPACING COLLAR WITH TWO 414529
268065	NEEDLE BAR ROCK FRAME DRIVING ECCENTRIC ADJUSTING DISC	500272-833	NEEDLE BAR CRANK SET SCREW
268065	LIFTING ECCENTRIC ADJUSTING DISC	504020	LIFTING ROCK SHAFT COLLAR SET SCREW (2)
268270	ARM SHAFT CONNECTION BELT	544286	LIFTING ECCENTRIC FRICTION PLATE SCREW (2)
268490	LIFTING ECCENTRIC CONNECTION	544336	ARM SHAFT BALL BEARING (BACK) HOUSING SCREW (3)
268491	LIFTING ECCENTRIC CONNECTION 268490 WITH 271055	544358	NEEDLE BAR CRANK POSITION SCREW CHECK SCREW
271055	LIFTING ECCENTRIC CONNECTION NEEDLE BEARING	545297	NEEDLE BAR ROCK FRAME DRIVING CONNECTION CAP SCREW
271055	NEEDLE BAR ROCK FRAME DRIVING CONNECTION NEEDLE BEARING	549024	NEEDLE BAR CRANK POSITION SCREW
281924	ARM SHAFT CONNECTION BELT PULLEY WITH TWO 414546		
414509	LIFTING ECCENTRIC CONNECTION CRANK PINCH SCREW (2)		
414525	MACHINE PULLEY SET SCREW		
414526	MACHINE PULLEY POSITION SCREW		
414529	LIFTING ECCENTRIC SPACING COLLAR SET SCREW (4)		
414543	LIFTING ECCENTRIC CONNECTION HINGE PIN PINCH SCREW		
414546	ARM SHAFT CONNECTION BELT PULLEY SET SCREW (2)		
414555	LIFTING ECCENTRIC FLANGE SET SCREW (2)		
414555	NEEDLE BAR ROCK FRAME DRIVING ECCENTRIC FLANGE SET SCREW (2)		
414557	LIFTING ECCENTRIC FRICTION PLATE SCREW SET SCREW (2)		
414557	NEEDLE BAR ROCK FRAME DRIVING ECCENTRIC FRICTION PLATE SCREW SET SCREW (2)		
415065	LIFTING ROCK SHAFT COLLAR WITH TWO 504020		
415069	LIFTING ECCENTRIC CONNECTION CRANK WITH 414543 AND TWO 414509		



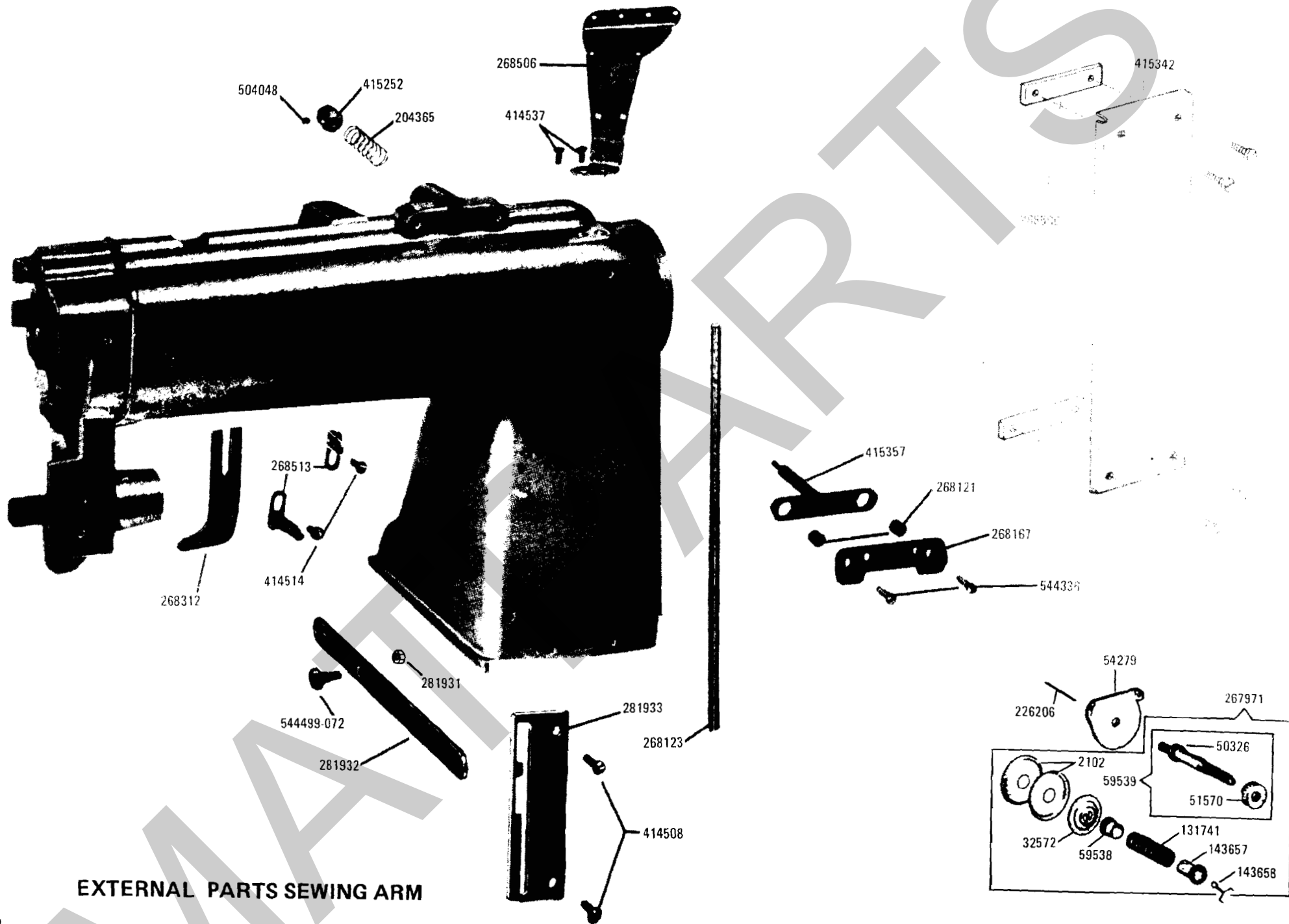
EXTERNAL PARTS SEWING ARM

PART NO.	DESCRIPTION	PART NO.	DESCRIPTION
32788	LIFTING ROCK SHAFT CRANK WITH 141424	545213	FOOT LIFT ARM SET SCREW
32789	LIFTING ROCK SHAFT 267633 WITH 32788 AND 548035	545246-452	ARM SIDE COVER SCREW (4)
141424	LIFTING LINK HINGE PIN SET SCREW (2)	548035	LIFTING ROCK SHAFT CRANK PIN
214529	NEEDLE BAR ROCK FRAME REGULATING STUD SPRING		
267110	LIFTING ROCK SHAFT NEEDLE BEARING (2)		
267604	ARM SIDE COVER		
267612	FOOT LIFTER CRANK		
267633	LIFTING ROCK SHAFT		
268148	NEEDLE BAR ROCK FRAME REGULATING STUD		
268149	NEEDLE BAR ROCK FRAME REGULATING STUD SLEEVE		
281927	PRESSER BAR SPRING ARM FULCRUM		
414504	LIFTING ROCK SHAFT BRACKET SCREW (2)		
414509	FOOT LIFTER ARM PINCH SCREW		
414509	LIFTING ECCENTRIC CONNECTION CRANK PINCH SCREW (2)		
414527	NEEDLE BAR ROCK FRAME REGULATING STUD SLEEVE SET SCREW		
414528	NEEDLE BAR ROCK FRAME REGULATING STUD CAP SET SCREW		
414530	LIFTING PRESSER BAR GUIDE ROD SET SCREW (LOWER)		
414543	LIFTING ECCENTRIC CONNECTION HINGE PIN PINCH SCREW		
414566	FOOT LIFTER CRANK STOP SCREW STUD		
414790	NEEDLE BAR ROCK FRAME DRIVING ARM PINCH SCREW (2)		
415065	LIFTING ROCK SHAFT COLLAR WITH TWO 504020		
415069	LIFTING ECCENTRIC CONNECTION CRANK WITH 414543 AND TWO 414509		
415071	LIFTING ROCK SHAFT BRACKET		
415091	NEEDLE BAR ROCK FRAME DRIVING CONNECTION HINGE STUD 415092 WITH 268258		
415092	NEEDLE BAR ROCK FRAME DRIVING CONNECTION HINGE STUD		
415094	NEEDLE BAR ROCK FRAME DRIVING ARM WITH TWO 414790		
415098	NEEDLE BAR ROCK FRAME REGULATING STUD CPL. NDS., 214529, 415099, 268148 AND 268149		
415099	NEEDLE BAR ROCK FRAME REGULATING STUD CAP WITH 414528		
415122	FOOT LIFTER ARM WITH 414509 AND 545213		
504020	LIFTING ROCK SHAFT COLLAR SET SCREW (2)		
541197	NEEDLE BAR ROCK FRAME DRIVING CONNECTION HINGE STUD NUT		
544322	LIFTING LEVER HINGE STUD SET SCREW (2)		



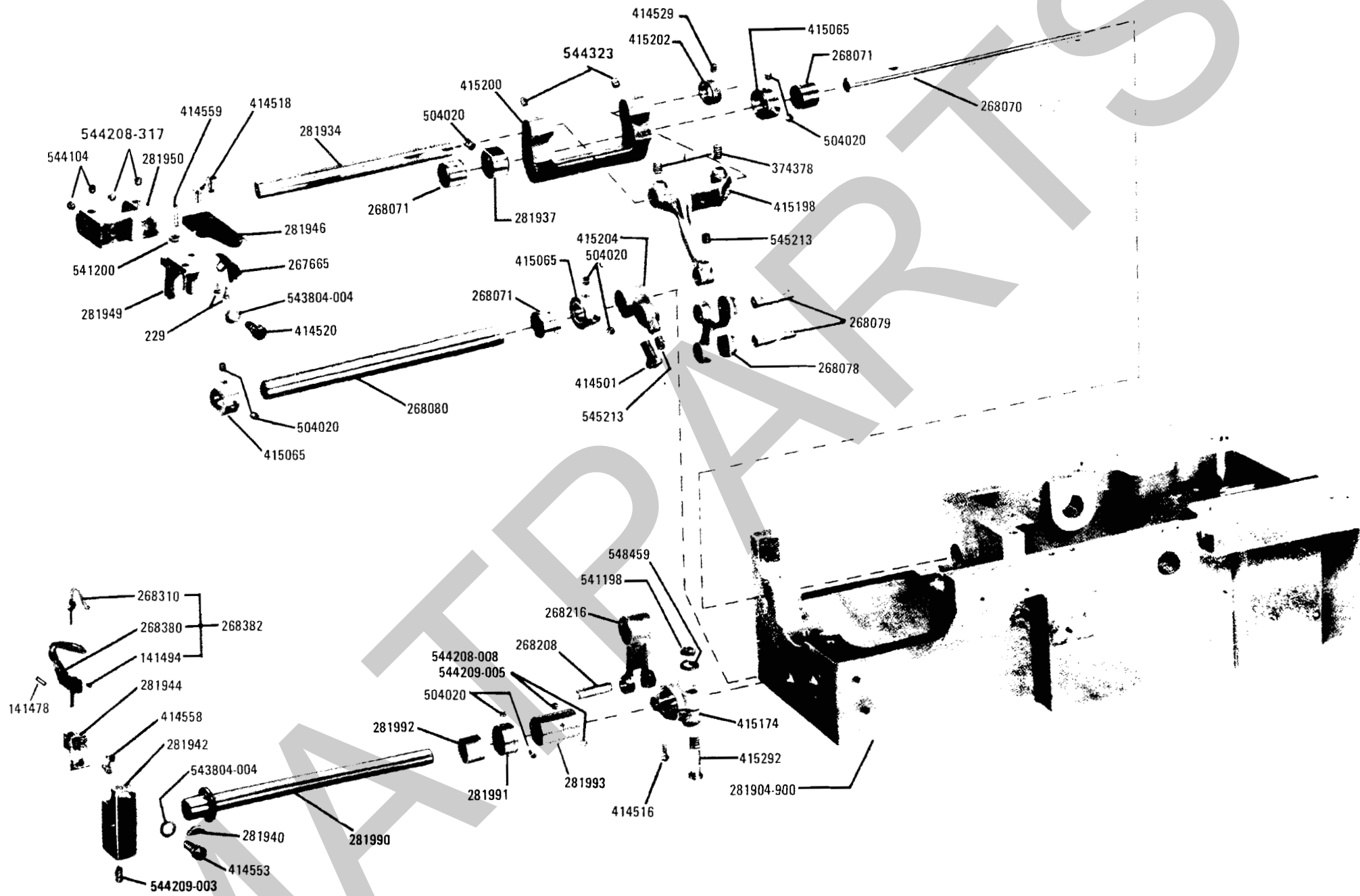
EXTERNAL PARTS SEWING ARM

PART NO.	DESCRIPTION	PART NO.	DESCRIPTION
201363	FOOT LIFTER LEVER HINGE SCREW		
204348	FOOT LIFTER LEVER SPRING		
248423	FOOT LIFTER ROD COTTER PIN		
248423	LIFTING ROD PIN		
267650	PRESSER BAR PRESSURE CYLINDER SUPPORT RETAINER		
267704	FOOT LIFTER LEVER ROD WITH 248423		
267707	NEEDLE THREAD TENSION RELEASING PLATE		
267714	PRESSER BAR SPRING HOUSING SUPPORT		
267738	PRESSER BAR SPRING ARM		
281929	FOOT LIFTER LEVER WITH 543850-001		
281930	LIFTING ROD		
412373	LIFTING ROD CONNECTION		
414567	PRESSER BAR SPRING ARM HINGE SCREW		
414570	FOOT LIFTER LEVER SPRING SCREW EYE		
414577	FOOT LIFTER LEVER ROD HINGE SCREW		
415106	PRESSER BAR SPRING HOUSING CPL.		
541166-001	LIFTING ROD CONNECTION NUT (2)		
541166-003	FOOT LIFTER LEVER ROD HINGE SCREW NUT		
541198	PRESSER BAR SPRING HOUSING ADJUSTING NUT (2)		
543804-004	FOOT LIFTER LEVER ROD HINGE SCREW WASHER		
543804-014	LIFTING ROD WASHER		
543850-001	NEEDLE THREAD TENSION RELEASING PLATE PIN		
544336	FOOT LIFTER LEVER (BACK) SPRING SCREW		
545205-451	PRESSER BAR SPRING CYLINDER SUPPORT BRACKET SCREW (2)		
545405	PRESSER BAR SPRING ARM HINGE SCREW NUT		
548154	PRESSER BAR SPRING ARM HINGE SCREW WASHER		



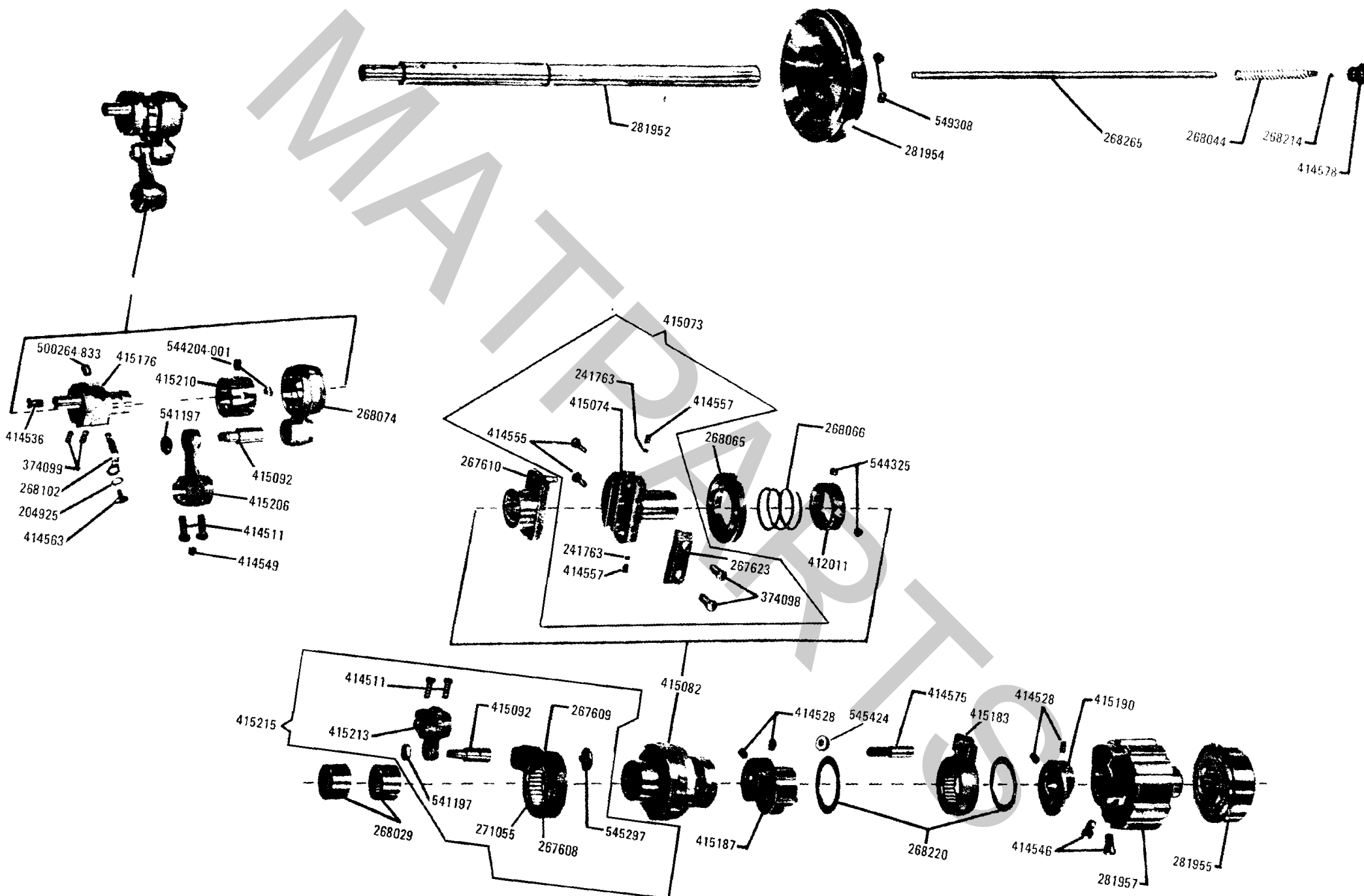
EXTERNAL PARTS SEWING ARM

PART NO.	DESCRIPTION	PART NO.	DESCRIPTION
21202	NEEDLE THREAD TENSION DISC (2)		
32572	NEEDLE THREAD TENSION RELEASING DISC		
50326	NEEDLE THREAD TENSION STUD		
51570	NEEDLE THREAD TENSION THUMB NUT		
54279	NEEDLE THREAD TENSION THREAD GUIDE		
59538	NEEDLE THREAD TENSION SPRING BUSHING		
59539	NEEDLE THREAD TENSION STUD 50326 WITH 51570		
131741	NEEDLE THREAD TENSION SPRING		
143657	NEEDLE THREAD TENSION SPRING BUSHING		
143658	NEEDLE THREAD TENSION THUMB NUT LOCKING SPRING		
204365	NEEDLE THREAD TENSION RELEASER SPRING		
267971	NEEDLE THREAD TENSION CPL. NOS., 32572, 59538, 59539, 131741, 143657, 143658 AND TWO 2102		
268121	NEEDLE THREAD TENSION BRACKET SPACING COLLAR((2)		
268123	LOOPER THREAD TUBE		
268167	NEEDLE THREAD TENSION BRACKET		
268312	NEEDLE THREAD GUIDE (ON ARM HEAD)		
268500	LOOPER THREAD GUIDE GASKET (2)		
268506	LOOPER THREAD GUIDE BRACKET		
268513	NEEDLE THREAD GUIDE (2)		
281931	COLLAR		
281932	LIFTING LEVER-PRESSER FOOT		
281933	LATCH PLATE-LIFTING LEVER		
414508	LATCH PLATE SCREW (2)		
414514	NEEDLE THREAD GUIDE SCREW (2)		
414537	LOOPER THREAD GUIDE BRACKET SCREW (2)		
414639	LOOPER THREAD TUBE COVER SCREW (4)		
415252	NEEDLE THREAD TENSION RELEASER CAP WITH 504048		
415342	LOOPER THREAD TUBE COVER		
415357	NEEDLE THREAD TENSION RELEASER		
504048	NEEDLE THREAD TENSION RELEASER CAP SET SCREW		
544336	NEEDLE THREAD TENSION BRACKET SCREW (2)		
544499-072	LIFTING LEVER SCREW		

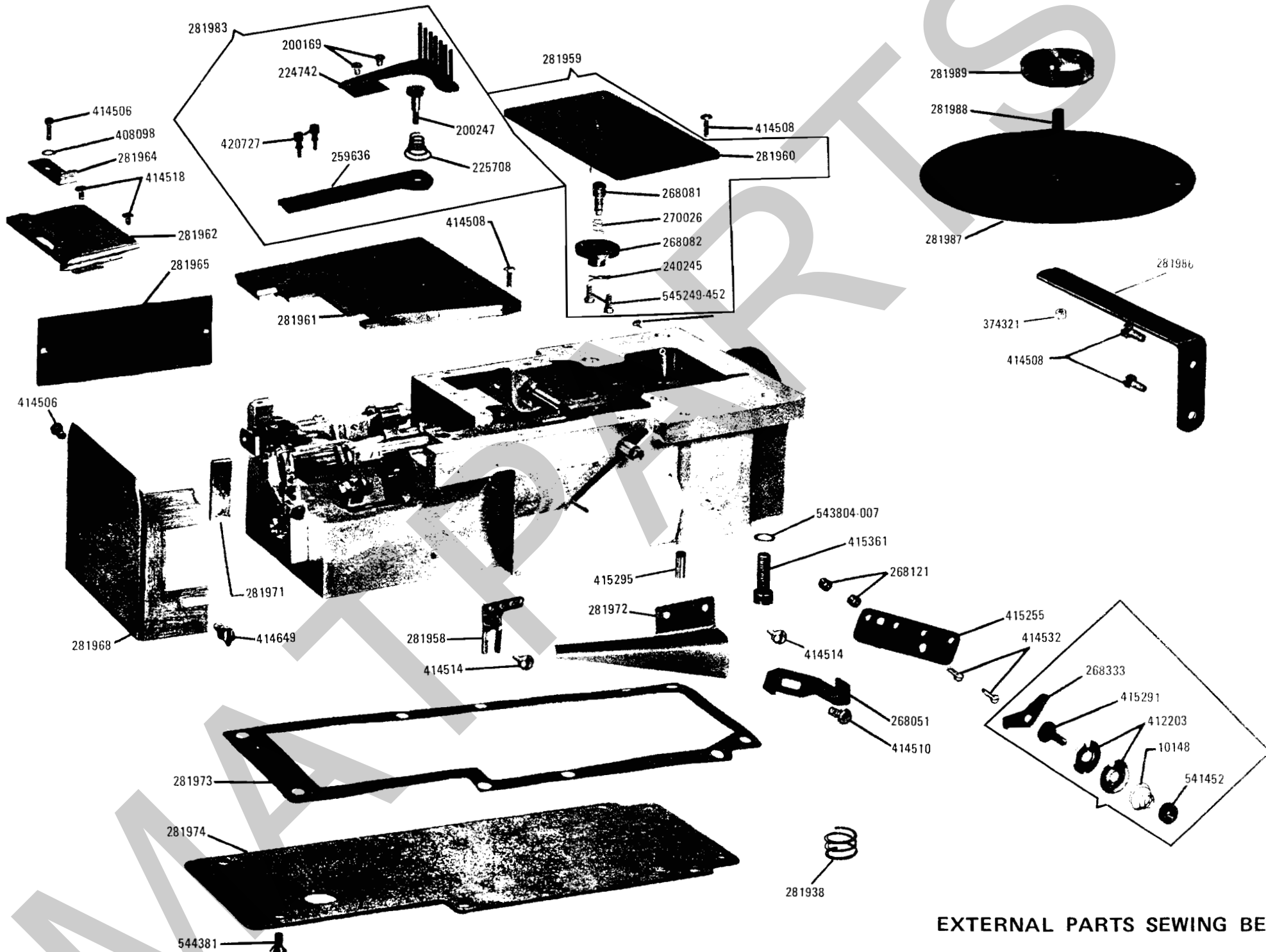


FRONT ASSEMBLY SEWING BED

PART NO.	DESCRIPTION	PART NO.	DESCRIPTION
229	LOOP DEFLECTOR SCREW (2)	415198	FEED BAR WITH 545213 AND TWO 374378
141478	NEEDLE GUARD SET SCREW (BACK)	415200	FEED DRIVING ROCK FRAME WITH 549024 AND 500264-833
141494	NEEDLE GUARD SET SCREW (FRONT)	415202	FEED BAR HINGE PIN COLLAR WITH 414529
267665	LOOP DEFLECTOR	415204	FEED LIFTING CRANK WITH 414501 AND 545213
268070	FEED DRIVING ROCK SHAFT	415292	LOOPER CARRIER CRANK CLAMPING STUD
268071	FEED DRIVING ROCK SHAFT NEEDLE BEARING (2)	504020	COLLAR SET SCREW (9)
268071	LOOPER SHAFT NEEDLE BEARING (2)	541198	LOOPER CARRIER CRANK CLAMPING STUD NUT
268071	FEED LIFTING ROCK SHAFT NEEDLE BEARING (2)	541200	FEED DOG SHANK ADJUSTING SCREW LOCK NUT
268078	FEED LIFTING LINK	543804-004	FEED DOG SHANK SCREW WASHER
268079	FEED LIFTING LINK HINGE PIN WITH 268258 (2)	544053	LOOPER CARRIER CRANK BUSHING SET SCREW (2)
268080	FEED LIFTING ROCK SHAFT	544104	FEED DOG ADAPTER SET SCREW (2)
268208	LOOPER CARRIER CRANK HINGE PIN WITH 268258	544204-002	LOOPER CARRIER SET SCREW
268216	LOOPER DRIVING CONNECTION CPL.	545213	FEED LIFTING LINK HINGE PIN SET SCREW (2)
268258	WICK	545213	FOOT LIFTER ARM SET SCREW
268310	NEEDLE GUARD	548459	LOOPER CARRIER CRANK CLAMPING SCREW WASHER
268380	LOOPER WITH 141478 AND 141494	549024	FEED DRIVING ROCK FRAME POSITION SCREW
268382	LOOPER AND NEEDLE GUARD CPL.		
281904-900	BED		
281934	FEED BAR HINGE PIN	281990	LOOPER SHAFT
281937	FEED DRIVING ROCK SHAFT COLLAR	281991	LOOPER SHAFT COLLAR WITH TWO 504020
281939	LOOPER SHAFT	281992	LOOPER SHAFT NEEDLE BEARING (2)
281940	KEY	281993	LOOPER CARRIER CRANK BUSHING
281941	LOOPER CARRIER CRANK BUSHING	544209-005	LOOPER CARRIER CRANK BUSHING SET SCREW (2)
281942	LOOPER CARRIER	544208-008	LOOPER CARRIER CRANK BUSHING POSITION SET SCREW
281944	LOOPER HOLDER	544209-003	LOOPER CARRIER SET SCREW
281946	FEED DOG		
281949	FEED DOG SHANK		
281950	FEED DOG ADAPTER		
374378	FEED DOG ADAPTER SET SCREW (2)	544208-317	FEED DOG ADAPTER SET SCREW(2) WITH NUT 541166-001(2)
374378	FEED BAR SET SCREW (2)	544208-317	FEED BAR SET SCREW(2) WITH NUT 541166-001(2)
414501	FEED LIFTING CRANK PINCH SCREW	544323	FEED DRIVING FRAME POSITION SCREW(2) WITH NUT 545443(2)
414516	LOOPER CARRIER CRANK HINGE PINCH SCREW		
414518	FEED DOG SCREW (2)		
414520	FEED DOG SHANK SCREW		
414529	FEED BAR HINGE PIN COLLAR SET SCREW		
414553	LOOPER HOLDER SET SCREW		
414558	LOOPER SET SCREW		
414559	FEED DOG SHANK ADJUSTING SCREW		
415065	FEED DRIVING ROCK SHAFT COLLAR WITH TWO 504020		
415174	LOOPER CARRIER CRANK WITH 414516		

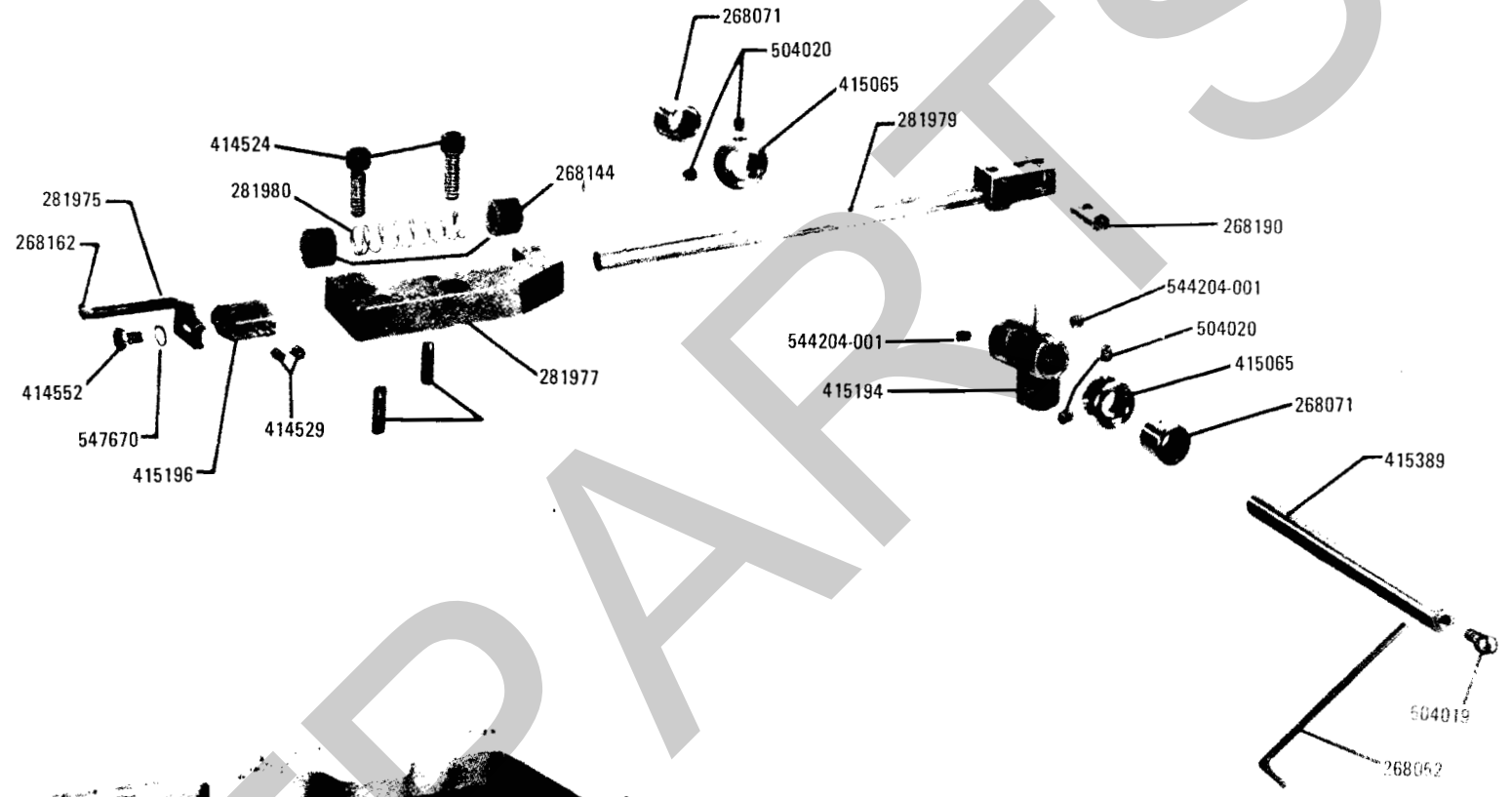


PART NO.	DESCRIPTION	PART NO.	DESCRIPTION
204925	LOOPER DRIVING CRANK OILHOLE COVER SCREW WASHER	415074	FEED DRIVING FLANGE
241763	FEED DRIVING ECCENTRIC FRICTION PLATE SCREW SET SCREW PACKING (2)	415082	FEED DRIVING ECCENTRIC CPL. NOS., 267610, 268065, 268066, 412011 AND 415073
267608	FEED DRIVING CONNECTION	415092	FEED DRIVING CONNECTION, FEED LIFTING CONNECTION HINGE STUD
267609	FEED DRIVING CONNECTION 267608 WITH 271055	415176	LOOPER DRIVING CRANK WITH 414536, 500264-833 AND TWO 374099
267610	FEED DRIVING ECCENTRIC	415183	SPREADER DRIVING CONNECTION
267623	FEED DRIVING ECCENTRIC FRICTION PLATE	415187	SPREADER DRIVING ECCENTRIC WITH TWO 414528
268029	BED SHAFT NEEDLE BEARING (2)	415190	SPREADER DRIVING ECCENTRIC COUNTERBALANCE WITH TWO 414528
268044	BED SHAFT OIL STOP BALL SPRING	415206	FEED LIFTING ROCK SHAFT CRANK WITH 414549 AND TWO 414511
268065	FEED DRIVING ECCENTRIC ADJUSTING DISC	415210	FEED LIFTING ECCENTRIC WITH 268077 AND TWO 544204-001
268066	FEED DRIVING ECCENTRIC ADJUSTING DISC SPRING	415213	FEED DRIVING ROCK SHAFT CRANK WITH TWO 414511
268074	FEED LIFTING CONNECTION	415215	FEED DRIVING ROCK SHAFT CRANK CPL.
268102	LOOPER DRIVING CRANK OIL HOLE COVER	500264-833	LOOPER DRIVING CRANK SET SCREW
268214	BED SHAFT OIL STOP BALL 5/32" IN DIAM.	541197	FEED DRIVING, FEED LIFTING CONNECTION HINGE STUD NUT
268220	SPREADER DRIVING ECCENTRIC THRUST WASHER (2)	544204-001	FEED LIFTING ECCENTRIC SET SCREW (2)
268265	BED SHAFT OIL CONTROL ROD	544325	COLLAR SET SCREW (2)
271055	FEED DRIVING CONNECTION NEEDLE BEARING	545297	FEED DRIVING CONNECTION CAP SCREW
281952	BED SHAFT	545424	SPREADER DRIVING ROCK SHAFT SCREW STUD NUT
281954	BED SHAFT PULLEY	549308	BED SHAFT PULLEY SET SCREW (2)
281955	BED SHAFT CONNECTION BELT PULLEY BEARING		
281957	BED SHAFT CONNECTION BELT PULLEY		
374098	FEED DRIVING ECCENTRIC FRICTION PLATE SCREW (2)		
374099	LOOPER DRIVING CRANK POSITION SCREW (2)		
412011	FEED DRIVING ECCENTRIC ADJUSTING DISC SPRING COLLAR WITH TWO 544325		
414511	FEED DRIVING ROCK SHAFT CRANK PINCH SCREW (2)		
414511	FEED LIFTING ROCK SHAFT CRANK PINCH SCREW (2)		
414528	SPREADER DRIVING ECCENTRIC SET SCREW (2)		
414528	SPREADER DRIVING ECCENTRIC COUNTER BALANCE SET SCREW (2)		
414536	LOOPER DRIVING CRANK OIL STOP SCREW		
414546	BED SHAFT CONNECTION BELT PULLEY SET SCREW (2)		
414549	FEED LIFTING ROCK SHAFT CRANK POSITION SCREW		
414555	FEED DRIVING FLANGE SET SCREW		
414557	FEED DRIVING ECCENTRIC FRICTION PLATE SCREW SET SCREW		
414563	LOOPER DRIVING CRANK OIL HOLE COVER SCREW		
414575	SPREADER DRIVING ROCK SHAFT SCREW STUD		
414578	BED SHAFT OIL STOP BALL SCREW		
415073	FEED DRIVING FLANGE 415074 WITH 267623 AND TWO EACH 241763, 414555, 414557 AND 374098		



EXTERNAL PARTS SEWING BED

PART NO.	DESCRIPTION	PART NO.	DESCRIPTION
10148	LOOPER THREAD TENSION SPRING	414510	LOOPER THREAD GUIDE SCREW
200169	TAPE GUIDE SET SCREW (2)	414514	LOOPER THREAD GUIDE, GUARD SET SCREW (3)
200247	BINDER PIVOT SCREW	414518	NEEDLE PLATE SET SCREW (3)
224742	TAPE GUIDE	414532	LOOPER THREAD TENSION BRACKET SCREW (2)
225708	BINDER PIVOT SCREW SPRING	414649	LOOPER COVER SCREW
240245	FEED REGULATING STUD RETAINING SPRING	415255	LOOPER THREAD TENSION BRACKET
259636	TAPE TENSION BRACKET	415291	LOOPER THREAD TENSION STUD
268051	LOOPER THREAD GUIDE	415294	LOOPER THREAD TENSION CPL. NOS., 10148, 415291 541452 AND TWO 412203
268081	FEED REGULATING STUD	415295	ARM POSITION PIN (2)
268082	FEED REGULATING STUD SOCKET	415361	ARMSCREW (4)
268121	NEEDLE THREAD TENSION BRACKET SPACING COLLAR (2)	420727	HEMMER SET SCREW (2)
268333	LOOPER THREAD TENSION THREAD GUIDE	541452	LOOPER THREAD TENSION THUMB NUT
270026	FEED REGULATING STUD SPRING	543804-007	ARM SCREW WASHER (4)
281938	HELI COIL (4)	544381	BED COVER PLATE SET SCREW (6)
281958	LOOPER THREAD GUIDE	545249-452	FEED REGULATING STUD SOCKET SCREW (2)
281959	BED PLATE (RIGHT) 281960 WITH 240245, 268081, 268082, 270026 AND TWO 545249-452		
281960	BED PLATE (RIGHT)		
281961	BED PLATE (LEFT)		
281962	NEEDLE PLATE		
281964	BINDER SWING STOPER PLATE		
281965	SIDE PLATE		
281968	LOOPER COVER		
281971	LOOPER COVER SPACER		
281972	LOOPER THREAD GUARD		
281973	GASKET		
281974	BED COVER PLATE		
281983	TAPE GUIDE, TAPE TENSION BRACKET CPL. NOS., 200247, 224742, 225708, 259636 AND TWO EACH 200169, 420727		
281986	TAPE REEL STAND		
281987	TAPE REEL DISC		
281988	TAPE REEL PIN		
281989	TAPE WEIGHT		
374321	TAPE REEL PIN NUT		
408098	BINDER SWING STOPER PLATE SET SCREW WASHER		
412203	LOOPER THREAD TENSION DISC (2)		
414506	BINDER SWING STOPER PLATE SET SCREW		
414506	SIDE PLATE, LOOPER COVER SET SCREW (3)		
414508	BED PLATE SCREW (9)		
414508	TAPE REEL STAND SCREW (2)		



CROSS SHAFT IN SEWING BED

PART NO.	DESCRIPTION	PART NO.	DESCRIPTION
268052	LOOPER THREAD TAKE-UP ROD		
268071	SPREADER DRIVING SHAFT NEEDLE BEARING (2)		
268144	SPREADER BAR OILING FELT (4)		
268162	SPREADER POINT		
268190	SPREADER DRIVING PIN		
281975	SPREADER WITH 268162		
281977	SPREADER BAR BRACKET		
281979	SPREADER BAR		
281980	SPREADER BAR OILING FELT SPLING		
414524	SPREADER BAR BRACKET SCREW (2)		
414529	SPREADER HOLDER SET SCREW (2)		
414552	SPREADER SCREW		
415065	SPREADER DRIVING ROCK SHAFT COLLAR WITH TWO 504020		
415194	SPREADER DRIVING CRANK WITH TWO 544204-001		
415196	SPREADER HOLDER WITH TWO 414529		
415389	SPREADER DRIVING ROCK SHAFT WITH 504019		
504019	LOOPER THREAD TAKE-UP ROD SET SCREW		
504020	SPREADER DRIVING ROCK SHAFT COLLAR SET SCREW (4)		
544204-001	SPREADER DRIVING CRANK SET SCREW (2)		
547670	SPREADER SCREW WASHER		