



# PARTS LIST

MODEL

**GAP 581FTF**

---

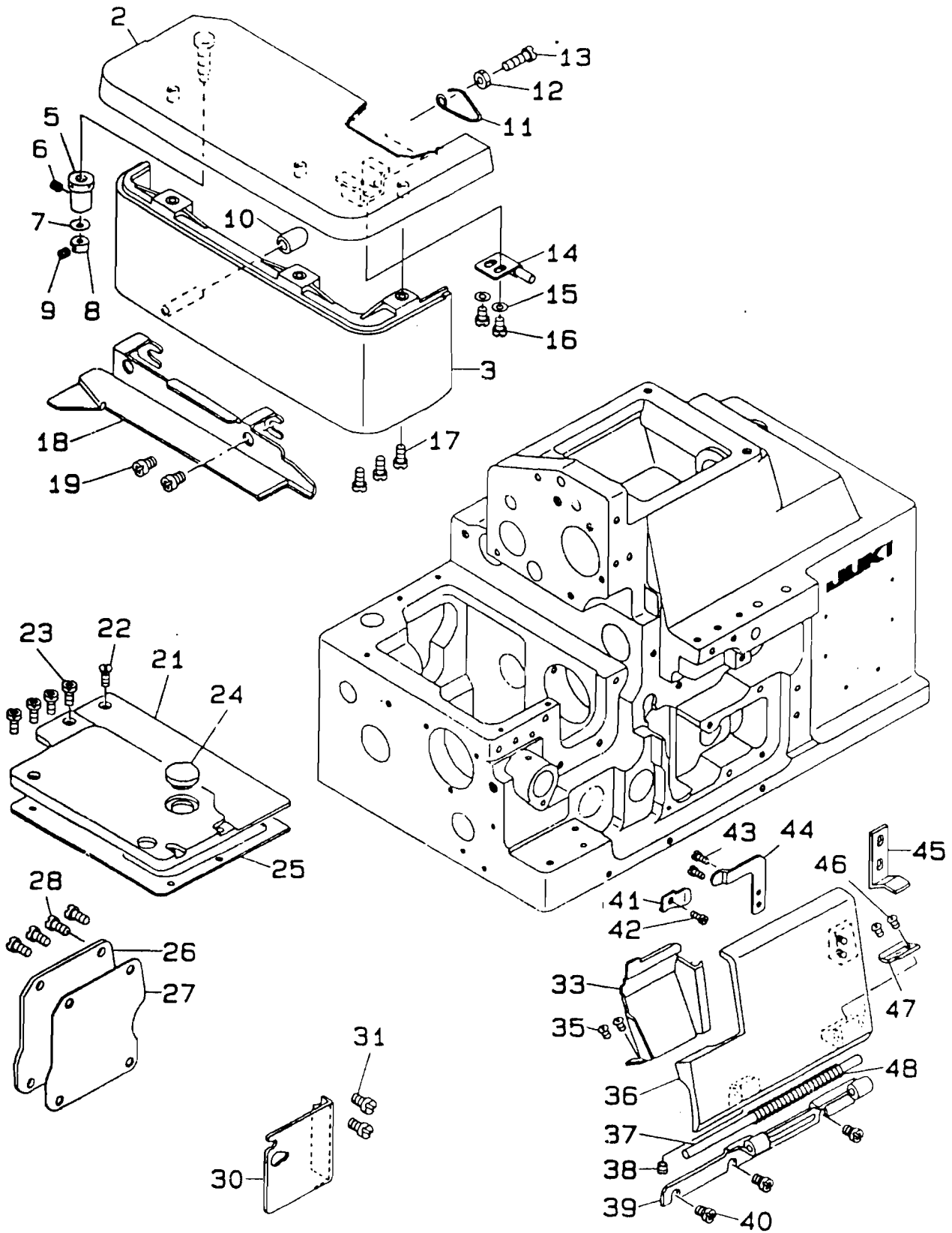
**FLANGING MACHINE WITH  
POWER TRAC TOP FEED  
FOR  
HEAVY FOAM PANELS**

Galkin Automated Products  
205 PARK AVENUE, HICKSVILLE, NY 11801  
(516) 822-6944 • (516) 822-0443

CONTENTS

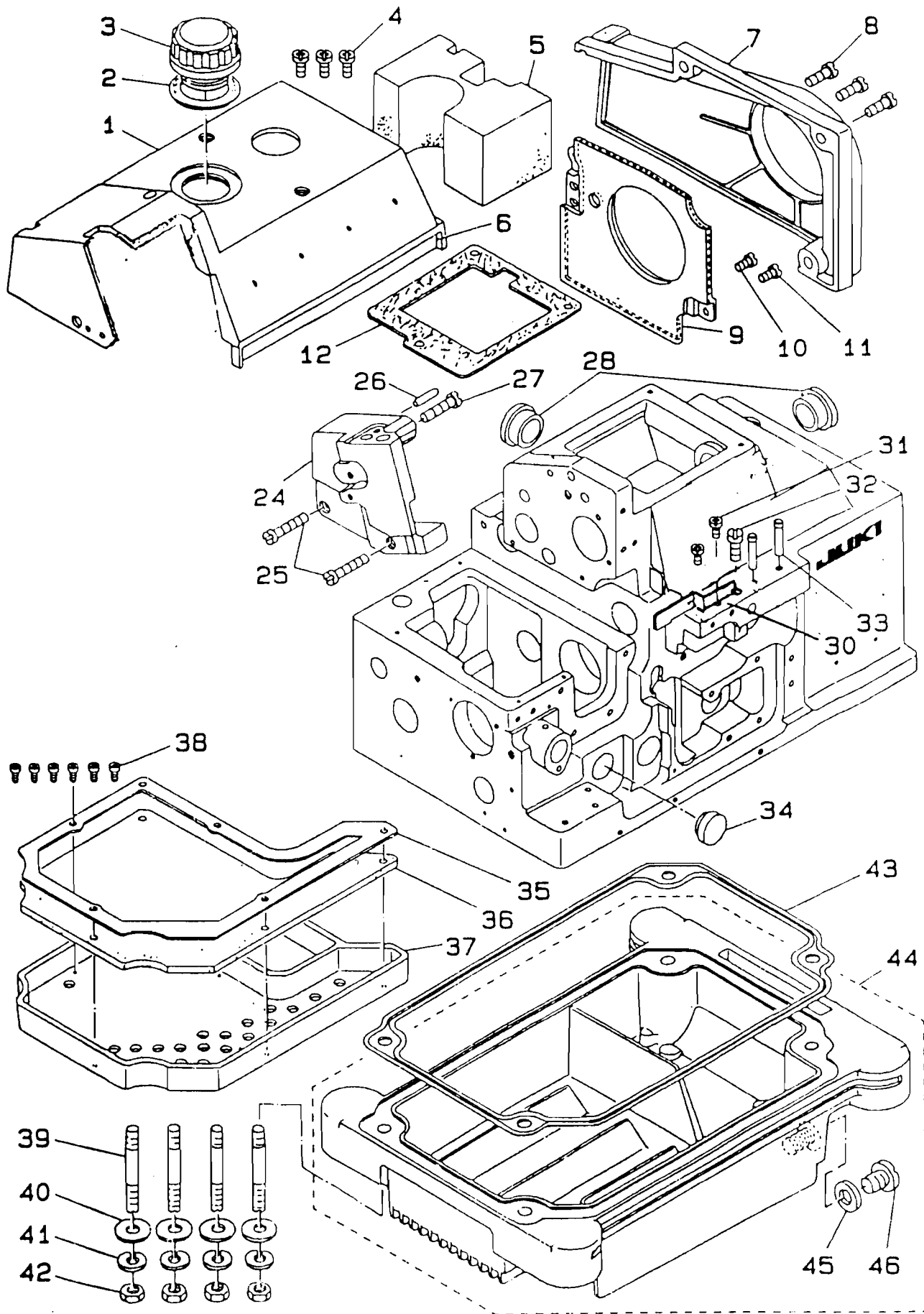
-----

1. Frame Components (1) .....	4
2. Frame Components (2) .....	6
3. Crankshaft Components .....	8
4. Needle Driving Shaft Components .....	10
5. Feed Mechanism Components (1) .....	12
6. Feed Mechanism Components (2) .....	14
7. Upper & Lower Looper Components .....	16
8. Chain Looper Components .....	18
9. Presser Foot Components (1) .....	19
10. Presser Foot Components (2) .....	20
11. Upper Knife Components .....	21
12. Thread Tension Components .....	22
13. Throat Plate & Lower Knife Components	24
14. Lubrication Mechanism Components .....	26
15. Thread Stand Components .....	28
16. Table Components .....	30
17. Galkin Power-Trac Components (1) .....	32
18. Galkin Power-Trac components (2) .....	34



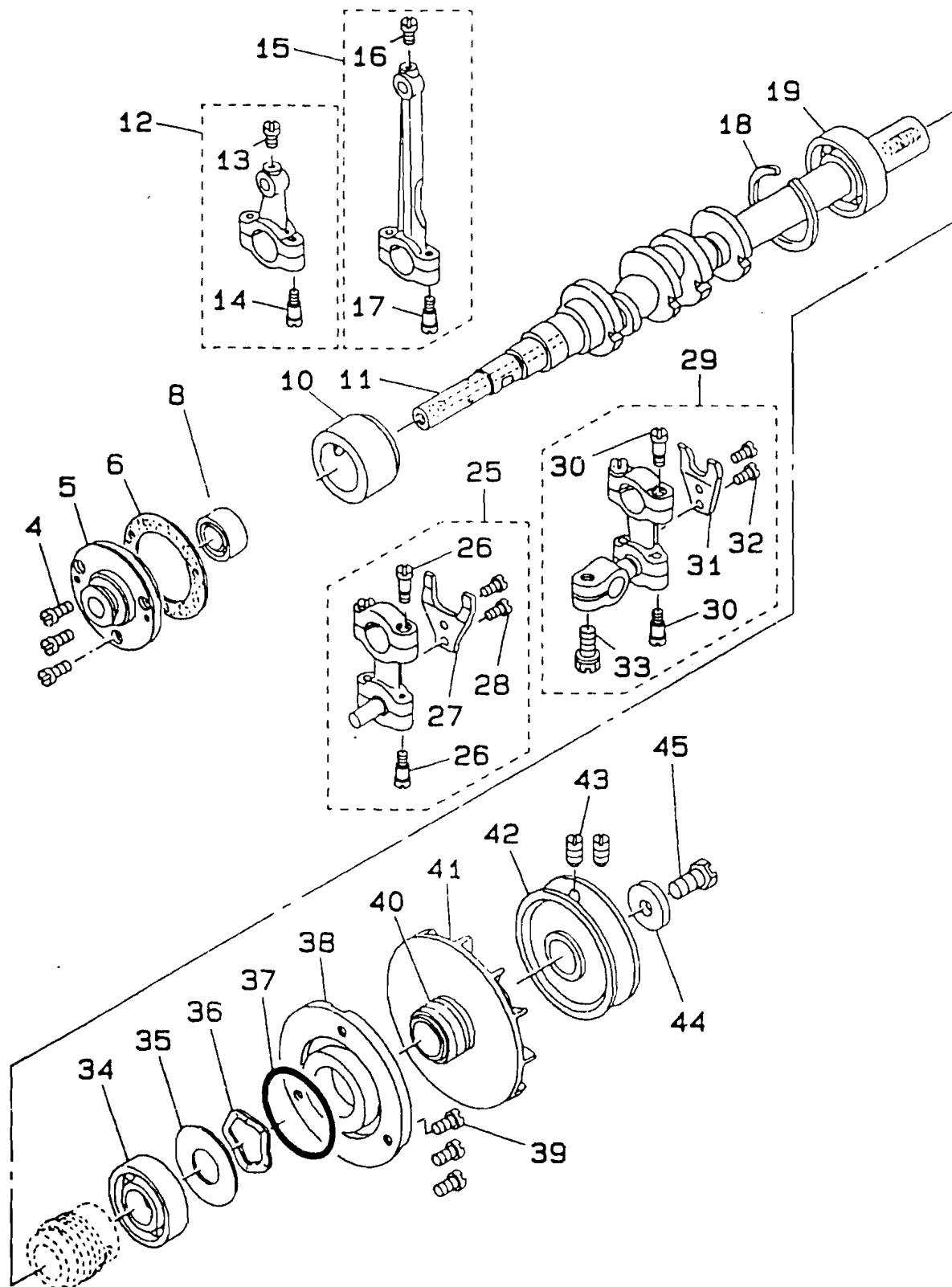
## PARTS LISTING - FRAME COMPONENTS (1)

ITEM	QTY	PART No.	DESCRIPTION
----	----	-----	-----
2	1	C119-48759	Cloth Plate Assembly
3	1	119-49005	Cloth Plate Cover
5	1	115-01301	Eccentric Bushing
6	1	SS-8110422-TP	Screw
7	1	WZ-0420350-KP	Disc Spring
8	1	CS-0400511-SD	Thrust Collar
9	1	SS-8080322-TP	Screw
10	1	118-02204	Rubber Plug
11	1	118-02402	Spring
12	1	NS-6110420-SP	Nut
13	1	SS-6111440-SP	Screw
14	1	119-49252	Stopper Assembly
15	2	WP-0450000-SD	Washer
16	2	SS-4110515-SP	Screw
17	3	SS-4091015-SP	Screw
18	1	120-00709	Cloth Plate Side Cover
19	2	SS-4120615-SP	Screw
21	1	118-02501	Feed Mechanism Cover
22	1	SS-1090930-SP	Screw
23	4	SS-4090815-SP	Screw
24	1	TA-1250406-R0	Rubber Plug
25	1	118-02600	Gasket
26	1	119-51100	Cover
27	1	118-04309	Gasket
28	4	SS-4110715-SP	Screw
30	1	118-04002	Chip Guard Cover
31	2	SS-7110510-SP	Screw
33	1	CPT251608	Cloth Waste Cover
35	2	SS-3090610-SP	Screw
36	1	119-50805	Looper Cover
37	1	118-03004	Looper Cover Hinge Pin
38	1	SS-8110422-TP	Screw
39	1	118-02907	Looper Cover Bracket
40	3	SS-4110715-SP	Screw
41	1	118-03400	Looper Cover Predder Spring
42	1	SS-7110720-SP	Screw
43	2	SS-7090530-SP	Screw
44	1	118-03301	Looper Cover Presser Plate
45	1	118-03202	Looper Cover Guide Plate
46	2	SS-7090530-SP	Screw
47	1	118-03103	Looper Cover Plate
48	1	119-49401	Looper Cover Spring



## PARTS LISTING · FRAME COMPONENTS (2)

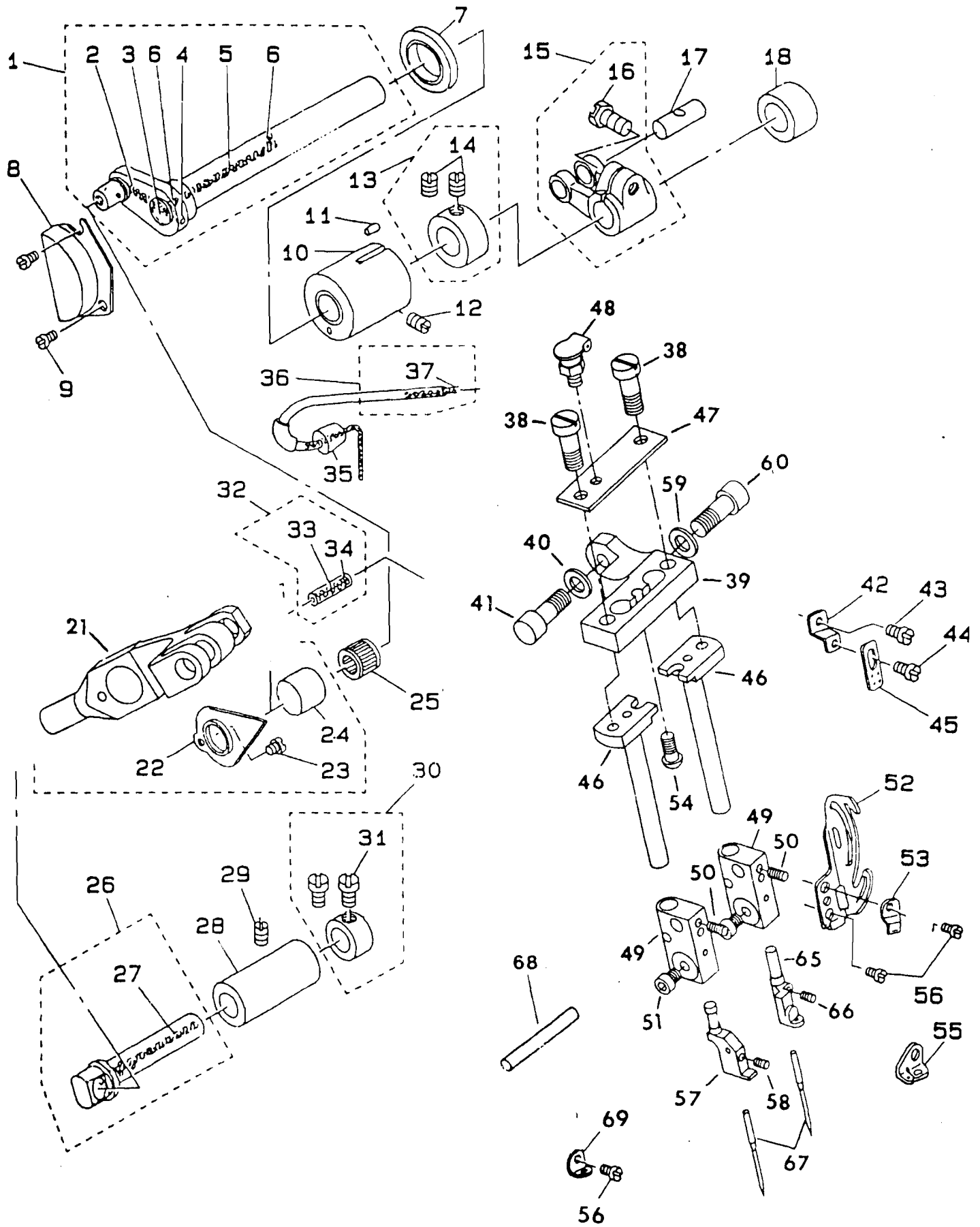
ITEM	QTY	PART No.	DESCRIPTION
----	----	-----	-----
1	1	C119-50003	Upper Cover
2	1	115-00808	Gasket
3	1	118-00604	Oil Cap
4	3	SS-4121015-SP	Screw
5	1	118-05009	Sponge
6	1	119-51506	Color Belt
7	1	119-51001	Belt Cover
8	3	SS-4150915-SP	Screw
9	1	118-04853	Cooling Fan Plate Assembly
10	1	SS-1110840-SP	Screw
11	1	SS-7110840-SP	Screw
12	1	118-00505	Upper Cover Gasket
24	1	C118-00307	Side Cover
25	2	SS-6122510-SP	Screw
26	1	PS-0400182-KO	Spring Pin
27	1	SS-6122030-SP	Screw
28	2	TA-2050805-R0	Rubber Plug
30	1	CPT251636	Chip Guard Cover, Upper
31	2	SS-4120615-SP	Screw
32	1	SS-9151210-TP	Screw
33	2	118-05207	Thread Guide, Large
34	1	TA-1871602-R0	Rubber Plug
35	1	118-41418	Filter Presser Plate
36	1	118-41517	Filter
37	1	118-41319	Filter Base
38	6	ST-6030821-0A	Screw
39	4	115-03703	Screw Stud
40	4	WP-0751576-SD	Washer
41	4	WS-0822010-KP	Spring Washer
42	4	NS-6680410-SP	Nut
43	1	115-03901	Oil Reservoir Gasket
44	1	115-03851	Oil Reservoir Assembly
45	1	118-10306	Oil Drain Cap Gasket
46	1	SS-6741010-SP	Screw



PARTS LISTING - CRANKSHAFT COMPONENTS

ITEM	QTY	PART No.	DESCRIPTION
----	---	-----	-----
4	3	SS-6090810-TP	Screw
5	1	118-12104	Crankshaft Bushing
6	1	B1219-804-000	Gasket
8	1	SB-1100003-00	Ball Bearing
10	1	118-11809	Crankshaft Bushing
11	1	120-02507	Crankshaft
12	1	118-45153	Knife Driving Rod Assembly
13	1	SS-7110910-TP	Screw
14	2	SD-0450701-TP	Hinge Screw
15	1	115-15053	Connecting Rod Assembly
16	1	SS-7110910-TP	Screw
17	2	SD-0450701-TP	Hinge Screw
18	1	B1212-704-000	Bearing Retainer
19	1	B1211-804-000	Ball Bearing
25	1	120-04065	Chain Looper Driving Rod Assembly
26	4	SD-0450701-TP	Hinge Screw
27	1	120-04008	Stopper
28	2	SS-7110910-TP	Screw
29	1	120-04156	Upper Looper Driving Rod Assembly
30	4	SD-0450701-TP	Hinge Screw
31	1	118-31203	Stopper
32	2	SS-7110910-TP	Screw
33	1	SS-9151210-TP	Screw
34	1	B1211-804-000	Ball Bearing
35	1	115-10609	Washer
36	1	WZ-2640310-KH	Waved Washer
37	1	RO-3473501-00	Rubber Ring
38	1	118-11403	Thrust Holder
39	3	SS-4121015-SP	Screw
40	1	118-11502	Oil Shield
41	1	118-11601	Cooling Fan
42	1	120-02606	Handwheel
43	2	SS-8151150-SP	Screw
44	1	WP-0764016-SP	Washer
45	1	SS-9681610-TP	Screw

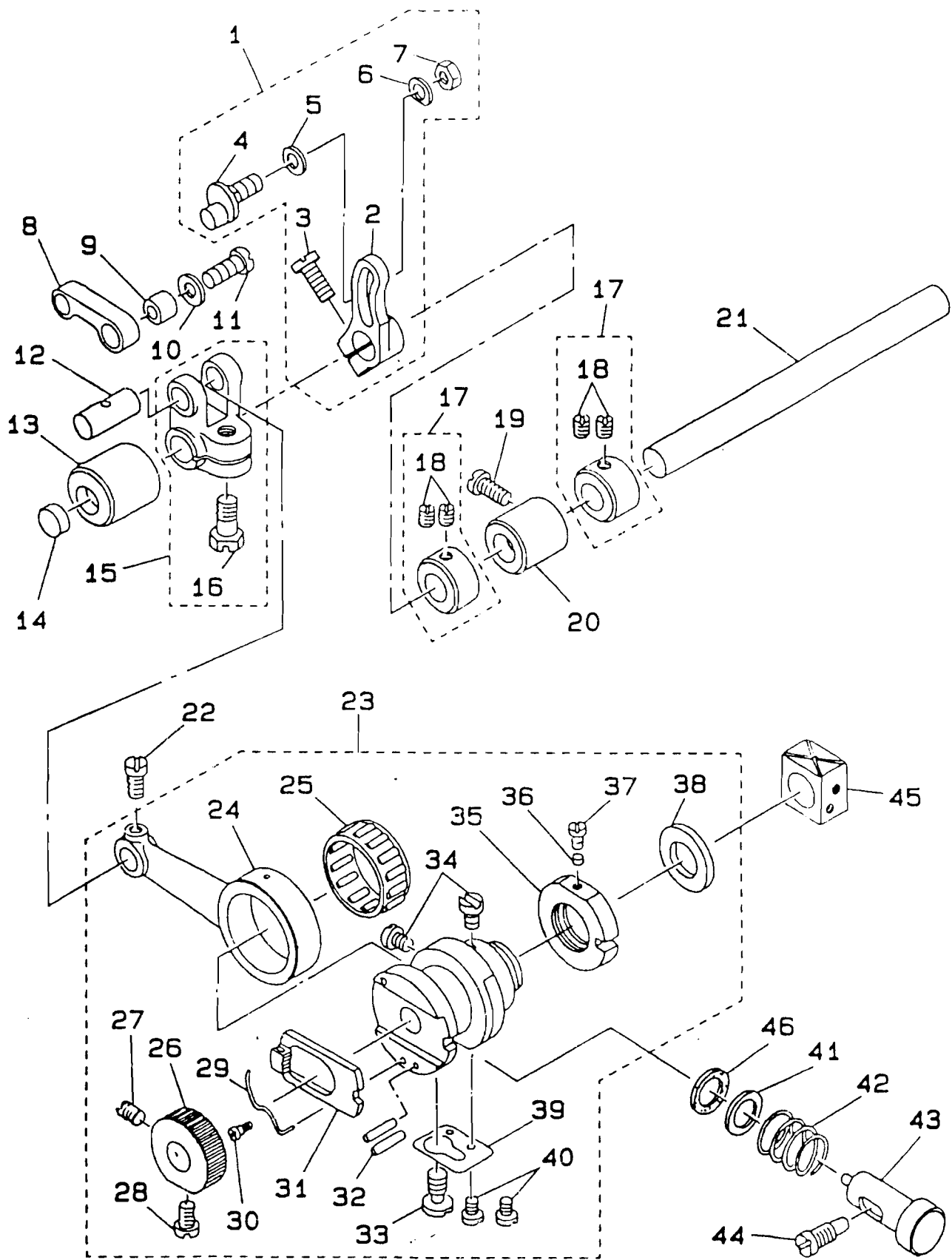




PARTS LISTING - NEEDLE DRIVING SHAFT COMPONENTS

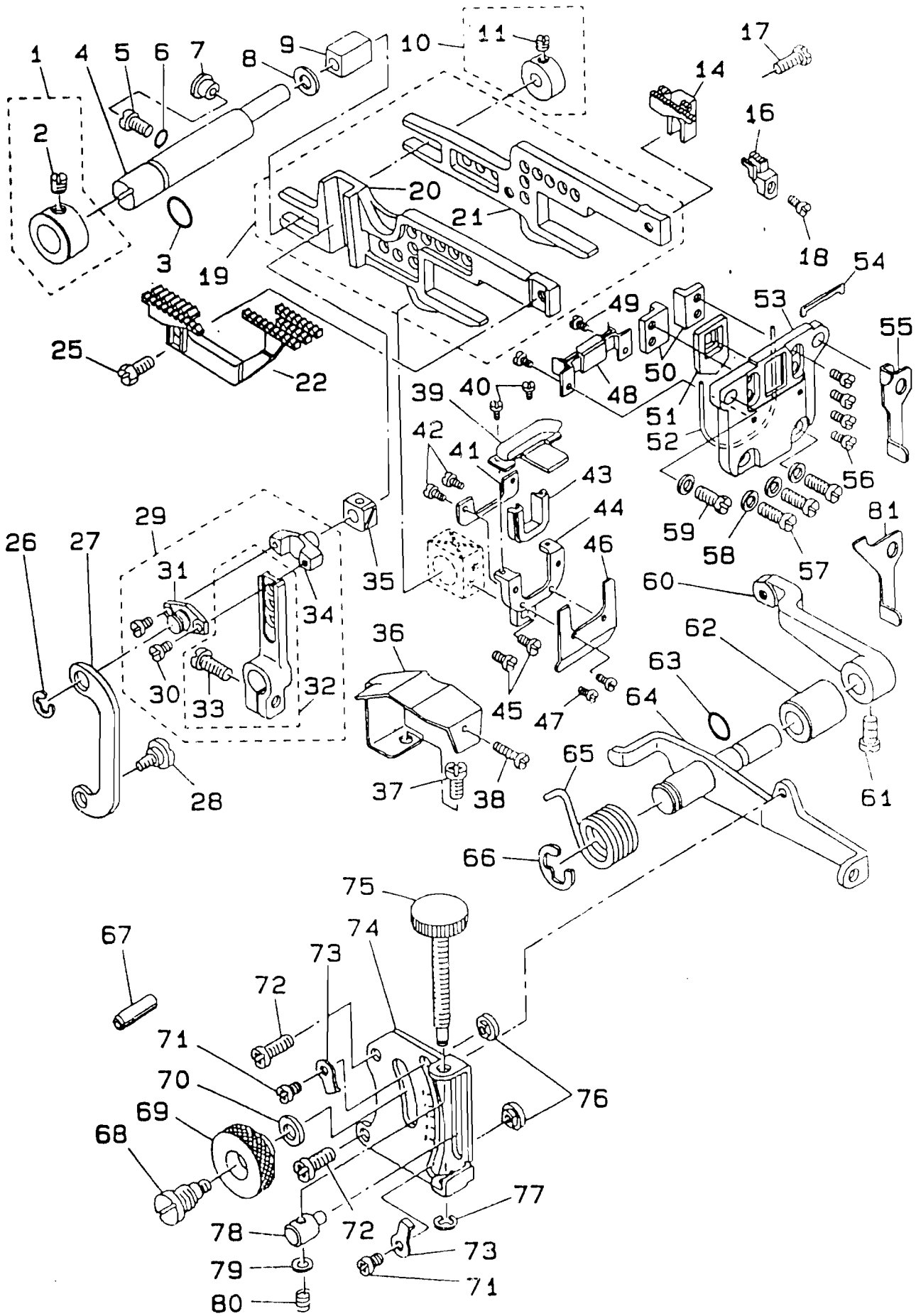
ITEM	QTY	PART No.	DESCRIPTION
1	1	118-17459	Needle Driving Shaft Assembly
2	1	115-82509	Oil Wick
3	1	115-17505	Oil Cap
4	1	TA-0180401-M0	Needle Cooler Plug Cap
5	1	118-42903	Oil Felt
6	2	B3525-704-000	Oil Felt
7	1	115-17802	Oil Seal
8	1	118-14407	Cover
9	2	SS-7110410-SP	Screw
10	1	118-14100	Bushing, Front
11	1	B3525-704-000	Oil Felt
12	1	SS-8120740-SP	Screw
13	1	CS-1201010-SH	Thrust Collar Assembly
14	2	SS-8660610-TP	Screw
15	1	B1402-804-0A0	Forked Crank Assembly
16	1	SS-9151210-TP	Screw
17	1	118-23606	Crank Pin
18	1	118-14308	Bushing, Rear
21	1	APT251620	Needle Driving Lever Assembly
22	1	115-15301	Oil Shield
23	1	SS-4080320-TP	Screw
24	1	115-15202	Outer Sleeve
25	1	B1411-804-A00	Bearing
26	1	115-15459	Needle Driving Lever Shaft Assembly
27	0.2	CQ-2020000-00	Oil Wick
28	1	115-15509	Bushing
29	1	SS-8120740-SP	Screw
30	1	CS-087081A-SH	Thrust Collar Assembly
31	2	SS-6110420-TP	Screw
32	1	C18039	Pin Assembly
35	1	118-15107	Oil Wick Cover Bushing
36	1	118-15057	Oil Wick Cover Assembly
37	0.3	CQ-2020000-00	Oil Wick
38	2	SS-7121410-TP	Screw
39	1	CPT251605	Needle Clamp Guide Shaft Base
40	1	WP-0651056-SD	Washer
41	1	SS-6151812-TP	Screw
42	1	118-16501	Needle Thread Guide
43	1	SS-7090540-TP	Screw
44	1	SS-7090530-SP	Screw
45	1	118-16600	Needle Thread Take-up Guide
46	2	CPT251612	Needle Clamp Guide
47	1	CPT251606	Needle Bar Slide Bracket Clamp Plate
48	1	CPT2516060C	Oil Cup
49	2	C115-15608	Needle Clamp Base
50	2	SS-8090410-SP	Screw
51	2	CSS8110422TP	Screw
52	1	120-03208	Needle Thread Take-up Lever
53	1	118-16204	Needle Thread Presser Spring
54	1	C103206BHCS	Screw
55	1	118-16410	Needle Thread Presser Guide
56	3	SS-6080410-SP	Screw
57	1	C18038	Needle Clamp
58	1	C87U	Screw
59	1	C25STW	Washer
60	1	C252012SCS	Screw
65	1	115-15707	Needle Clamp
66	1	SS-8080310-TP	Screw
67	2	CB64125	Needle (see Note 1)
68	1	18039	Drive Pin
69	1	118-16303	Needle Thread Guide

Note 1: Needles available from 125 to 140 size.



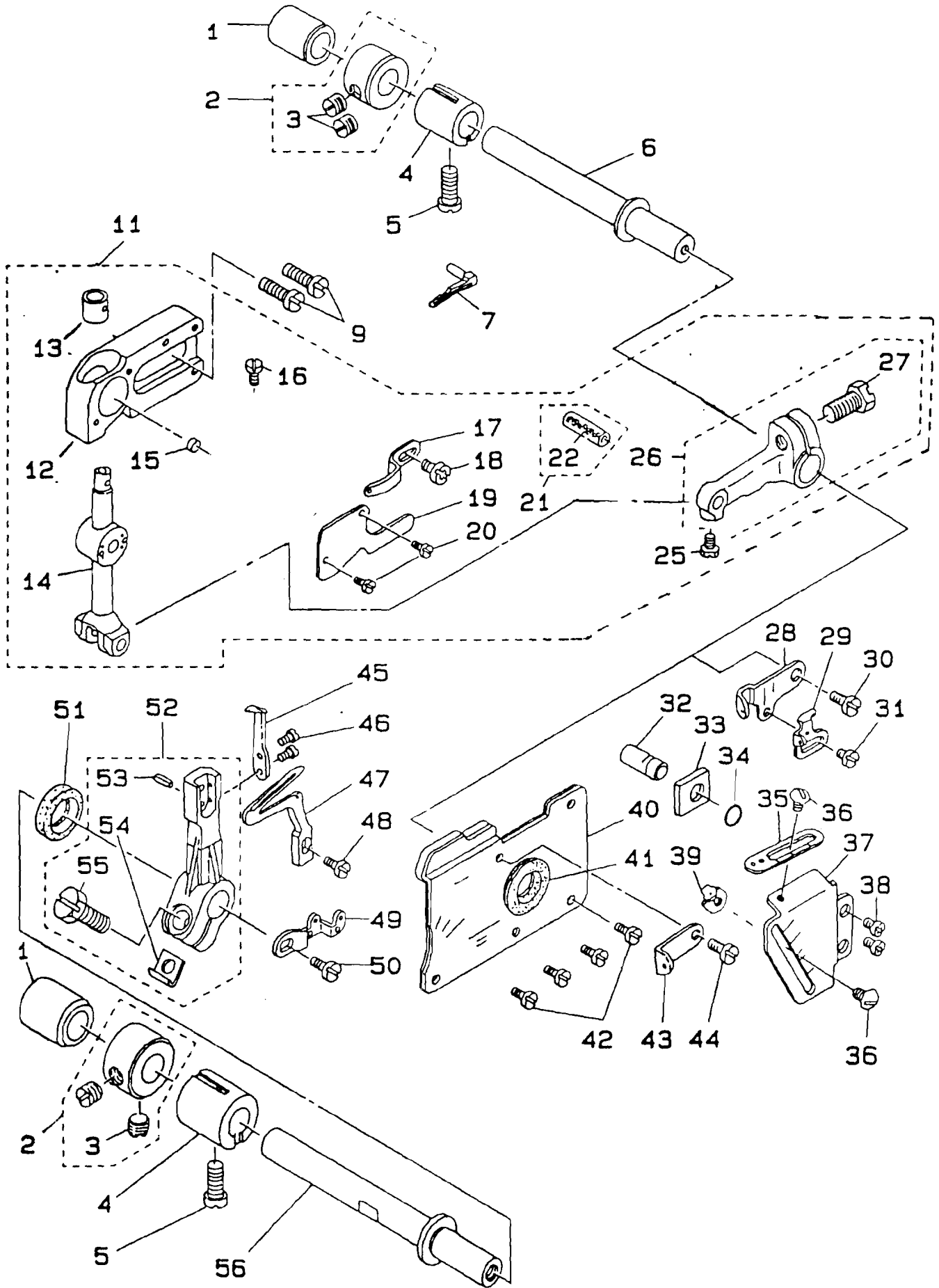
## PARTS LISTING - FEED MECHANISM COMPONENTS (1)

ITEM	QTY	PART No.	DESCRIPTION
----	----	-----	-----
1	1	118-24059	Feed Rocker Assembly
2	1	115-30102	Main Feed Rocker
3	1	SS-6121220-TP	Screw
4	1	118-24000	Pin
5	1	119-48502	Washer
6	1	119-48601	Washer
7	1	NS-6620320-SP	Nut
8	1	118-24109	Main Feed Link
9	1	B1620-804-000	Collar
10	1	B2107-816-000	Washer
11	1	SS-6121220-TP	Screw
12	1	118-23804	Crank Pin
13	1	B1614-704-000	Bushing, Front
14	1	TA-1030402-R0	Rubber Plug
15	1	B1611-804-0A0	Forked Link Assembly
16	1	SS-9151210-TP	Screw
17	2	CS-095081B-SH	Thrust Collar Assembly
18	4	SS-8110410-TP	Screw
19	1	SS-6121020-SP	Screw
20	1	B1615-704-000	Bushing, Rear
21	1	B1613-804-000	Rocker Shaft
22	1	SS-7110910-TP	Screw
23	1	118-23176	Feed Eccentric Body Assembly
24	1	B1610-804-000	Crank Rod
25	1	B1609-804-000	Needle Bearing
26	1	118-23507	Ratchet Gear
27	1	SS-8110750-SP	Screw
28	1	SS-6110710-TP	Screw
29	1	B1606-704-000	Ratchet Pawl Spring
30	1	SD-0260271-SP	Hinge Screw
31	1	B1604-704-000	Ratchet Pawl
32	2	PS-0300132-KH	Spring Pin
33	1	118-28209	Screw
34	2	SS-7110810-SP	Screw
35	1	118-23309	Nut
36	1	118-23408	Plug
37	1	SS-6090440-SP	Screw
38	1	118-23200	Washer
39	1	118-28100	Feed Cam Fixing Plate
40	2	SS-6060340-SP	Screw
41	1	B1654-704-000	Washer
42	1	B1652-704-000	Spring
43	1	B1650-704-000	Push Button Stud
44	1	SS-7151550-SP	Screw
45	1	118-24406	Slide Block
46	1	B1651-704-000	Felt



## PARTS LISTING - FEED MECHANISM COMPONENTS (2)

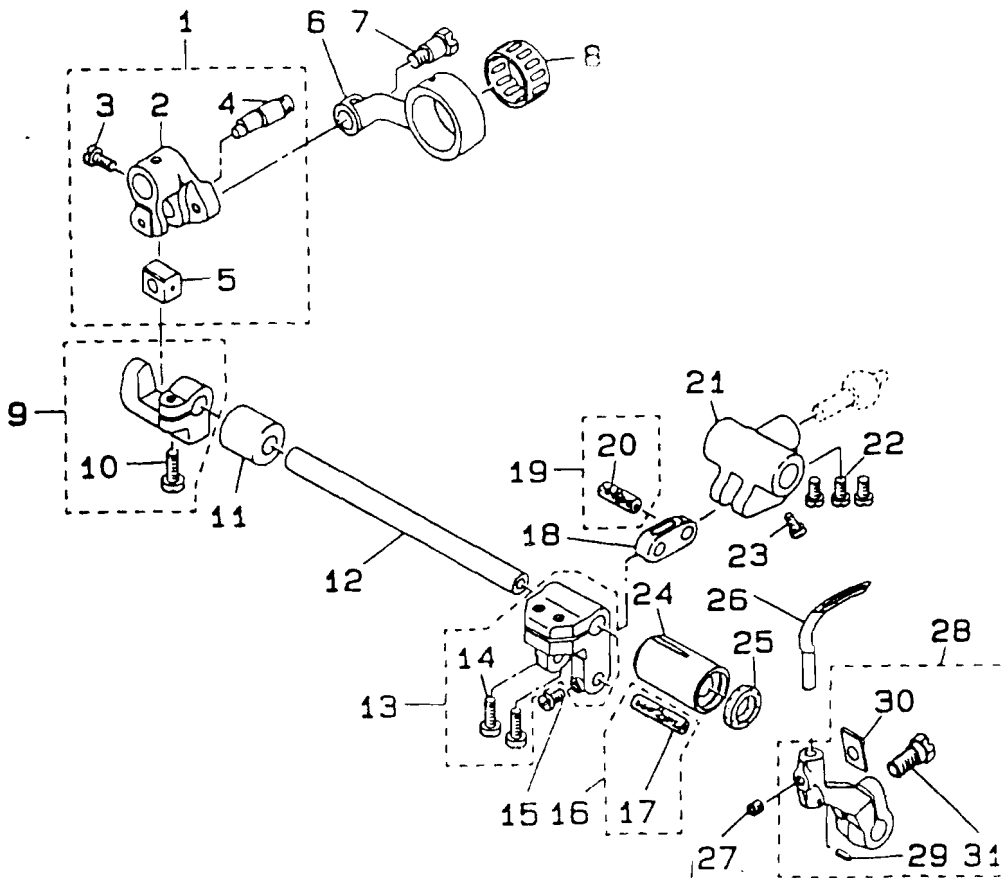
ITEM	QTY	PART No.	DESCRIPTION
1	1	118-24653	Thrust Collar Assembly
2	1	SS-8660330-SP	Screw
3	1	RO-0781901-00	Rubber Ring
4	1	118-24505	Feed Bar Shaft
5	1	SS-7120910-SP	Screw
6	1	RO-0371801-00	Rubber Ring
7	1	TA-0800504-R0	Plug
8	1	115-29906	Rocking Ring Support Shaft Washer
9	1	B1624-704-000	Slide Block
10	1	118-28050	Collar Assembly
11	1	SS-8110410-TP	Screw
14	1	C115-28502	Main Feed Dog
16	1	C115-28502	Auxiliary Feed Dog
17	1	SS-9111050-SP	Screw
18	1	SS-4080610-SP	Screw
19	1	118-24257	Main Feed Bar Assembly
20	1	118-24307	Differential Feed Bar
21	1	118-24208	Main Feed Bar
22	1	C18060	Differential Feed Dog
25	1	CPT151618	Screw
26	1	RE-0500000-K0	E-Ring
27	1	118-26310	Link
28	1	SD-0720271-SP	Hinge Screw
29	1	118-28555	Differential Feed Rocker Assembly
30	2	SS-6080410-SP	Screw
31	1	118-26401	Pin Cover
32	1	115-27967	Differential Feed Rocker Assembly
33	1	SS-6121220-TP	Screw
34	1	118-25304	Differential Feed Pin
35	1	B1663-804-000	Slide Block
36	1	118-25700	Oil Shield Plate
37	1	SS-4120615-SP	Screw
38	1	SS-4091015-SP	Screw
39	1	118-25601	Rubber Presser Plate Assembly
40	2	SS-7060310-SP	Screw
41	1	118-25205	Oil Shield Rubber
42	2	SS-7060310-SP	Screw
43	1	118-25106	Oil Shield Rubber
44	1	118-25007	Rubber Cover
45	2	SS-7090620-TP	Screw
46	1	118-25403	Rubber Base Plate
47	2	SS-7060310-SP	Screw
48	1	118-27607	Oil Shield Rubber, Lower
49	2	SS-7060510-SP	Screw
50	2	118-24703	Feed Bar Support
51	1	118-24901	Rubber
52	1	RO-4801201-00	Rubber Ring
53	1	118-24802	Rubber Case
54	1	118-27904	Rubber
55	1	118-28407	Throat Plate Support
56	4	SS-6090620-SP	Screw
57	3	SS-7111120-SP	Screw
58	4	WP-0480856-SP	Washer
59	1	SS-9111010-SP	Screw
60	1	118-28605	Differential Feed Rocker
61	1	SS-6661110-SP	Screw
62	1	B1645-704-000-A	Bushing
63	1	RO-0601501-00	Rubber Ring
64	1	118-25858	Rocker Shaft Assembly
65	1	119-91502	Spring
66	1	RE-0900000-KP	Snap Ring
67	1	PS-0400222-K0	Spring Pin
68	1	B1646-704-000-A	Differential Feed Hinge Screw
69	1	B1647-704-000-A	Differential Feed Lock Nut
70	1	WP-0621016-SD	Washer
71	2	SS-4090515-SP	Screw
72	2	SS-4121215-SP	Screw
73	2	115-29104	Washer
74	1	118-25908	Differential Feed Graduation
75	1	118-26104	Differential Feed Screw
76	2	115-29005	Stopper
77	1	RE-0300000-K0	E-Shaped Snap Ring
78	1	118-26005	Differential Feed Block
79	1	WP-0460556-SD	Washer
80	1	118-26203	Spring



## PARTS LISTING - UPPER &amp; LOWER LOOPER COMPONENTS

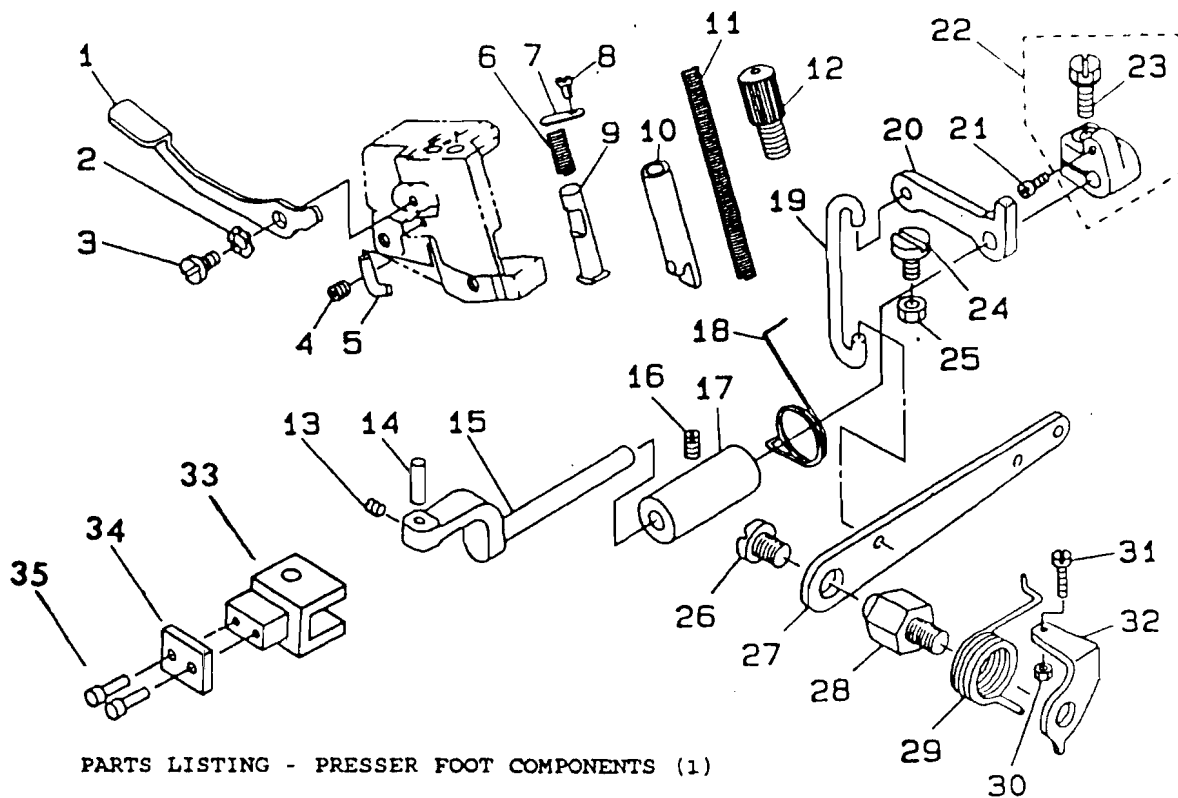
ITEM	QTY	PART No.	DESCRIPTION
1	2	B2509-704-000	Bushing, Rear
2	2	CS-103121A-SH	Thrust Collar Assembly
3	4	SS-8660530-TP	Screw
4	2	B2507-804-000-B	Bushing, Front
5	2	SS-6121020-SP	Screw
6	1	118-31302	Upper Looper Shaft
7	1	C115-82400	Upper Looper
9	2	SS-7151340-TP	Head Screw
11	1	120-04362	Upper Looper Guide Assembly
12	1	115-44400	Upper Looper Guide Retainer
13	1	APT251634	Looper Collar
14	1	C115-82160	Holder Connection Assembly
15	1	120-04503	Upper Looper Guide Felt
16	1	SS-9090410-TP	Screw
17	1	118-33308	Looper Thread Guide, Upper
18	1	SS-4090615-SP	Screw
19	1	120-04206	Upper Looper Guide Cover
20	2	SS-7060610-SP	Screw
21	1	B1422-804-OA0	Needle Driving Lever Pin
22	0.1	CQ-2000000-00	Oil Wick
25	1	SS-9090610-TP	Screw
26	1	115-82079	Looper Holder Assembly
27	1	SS-9151210-TP	Screw
28	1	118-33001	Looper Thread Take-up, Right
29	1	118-33506	Lower Looper Thread Take-up
30	1	SS-7110840-SP	Screw
31	1	SS-6080410-SP	Screw
32	1	118-31906	Pin
33	1	115-45100	Gauge
34	1	RO-0371801-00	Rubber Ring
35	1	118-32904	Looper Thread Guide, Right
36	2	SS-3090610-SP	Screw
37	1	118-32805	Looper Thread Take-up Cover
38	2	SS-4110715-SP	Screw
39	1	118-33407	Lower Looper Thread Guide
40	1	118-32706	Oil Shield Plate Assembly
41	1	B2530-704-000	Upper Looper Shaft Rubber Ring
42	4	SS-6090630-SP	Screw
43	1	118-33100	Looper Thread Guide
44	1	SS-7090850-SP	Screw
45	1	C118-90001	Traveling Needle Guard
46	2	SS-6060440-TP	Screw
47	1	C118-89904	Lower Looper
48	1	SS-6090620-SP	Screw
49	1	118-33209	Looper Thread Take-up, Left
50	1	SS-7110840-SP	Screw
51	1	B2508-704-000	Oil Seal
52	1	118-32458	Lower Looper Support Arm Assembly
53	1	PS-0200062-KH	Spring Pin
54	1	B2531-704-000	Washer
55	1	SS-9151210-TP	Screw
56	1	118-32300	Lower Looper Shaft





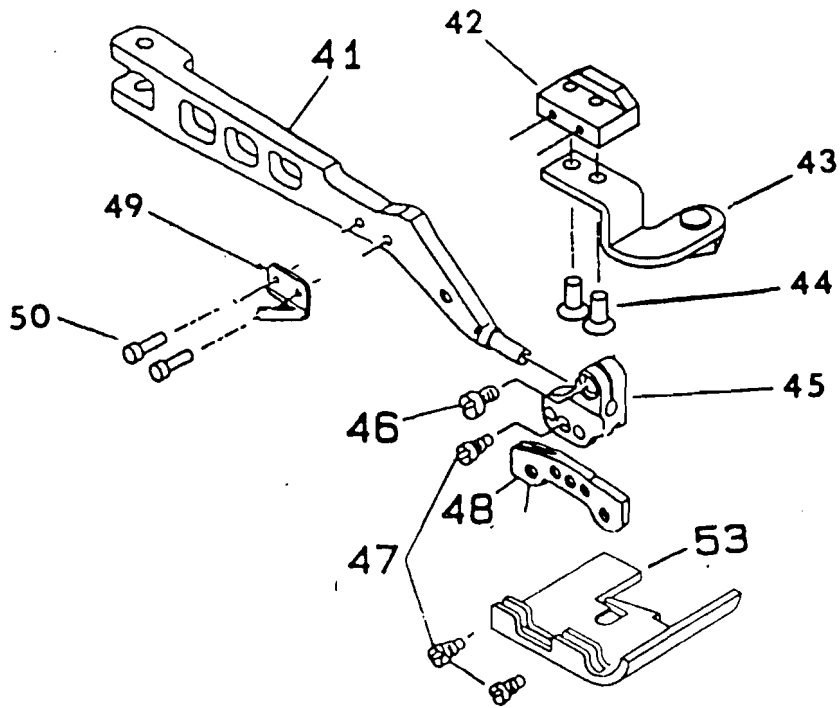
PARTS LISTING - CHAIN LOOPER COMPONENTS

ITEM	QTY	PART No.	DESCRIPTION
1	1	B2103-816-0A0	Chain Looper Shaft Slide Arm
2	1	B2103-816-000-B	Double Ring Front & Rear Arm
3	1	SS-7110720-TP	Screw
4	1	B2120-816-000	Chain Looper Slide Block Pin
5	1	B2105-816-000	Chain Looper Slide Block
6	1	B2102-816-000-A	Chain Looper Rod
7	1	SD-0720803-TH	Step Screw
8	1	B2119-816-B00	Bearing
9	1	B2108-816-0A0	Bracket Assembly
10	1	SS-6121220-TP	Screw
11	1	B2111-716-000	Bushing, Rear
12	1	118-29207	Chain Looper Shaft
13	1	115-39053	Chain Looper Shaft Driving Arm
14	2	SS-6121220-TP	Screw
15	1	SS-4080610-SP	Screw
16	1	B2106-816-CA0	Pin Assembly, Long
17	0.1	CQ-2020000-00	Oil Wick
18	1	B2113-816-000	Chain Looper Shaft Driving Link
19	1	B2114-816-CA0	Pin Assembly, Short
20	0.1	CQ-2020000-00	Oil Wick
21	1	B2115-816-000	Driving Ball Arm Bracket
22	3	SS-6110710-TP	Screw
23	1	SS-4080610-SP	Screw
24	1	B2110-816-000-B	Bushing, Front
25	1	B2525-352-000	Oil Seal Ring
26	1	C115-39202	Chain Looper
27	1	CSS-8110422-TP	Screw
28	1	118-29355	Chain Looper Driving Arm Assembly
29	1	PS-0200062-KH	Spring Pin
30	1	B2531-704-000	Washer
31	1	SS-9151210-TP	Screw



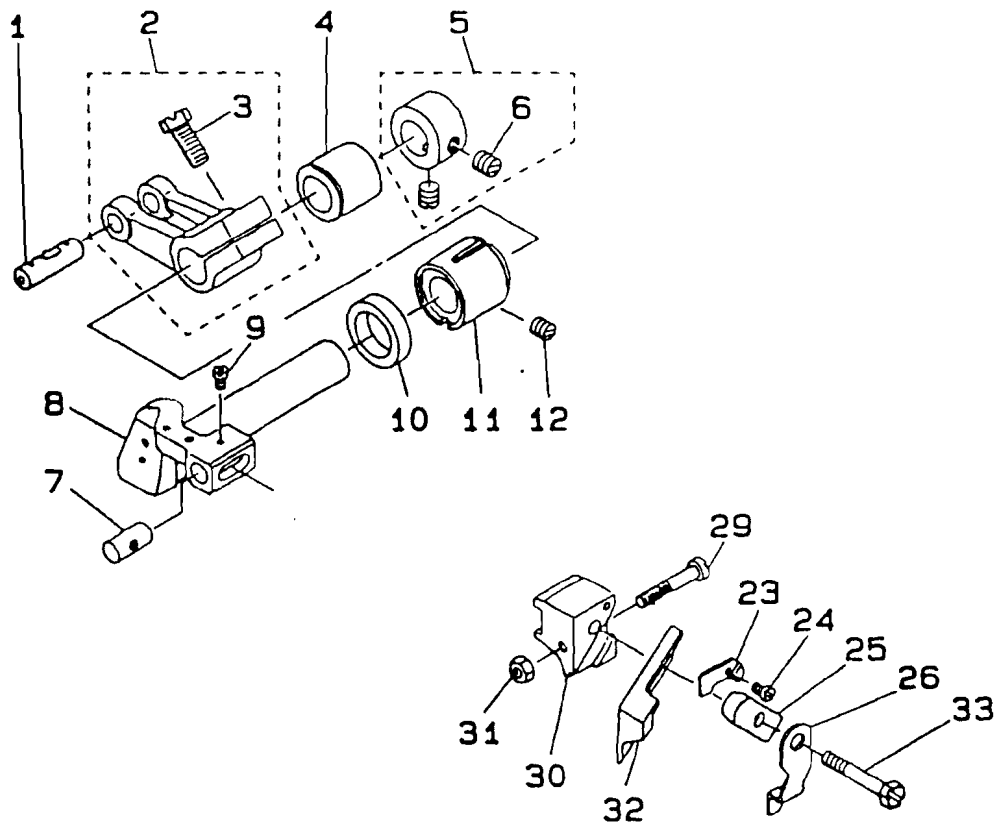
PARTS LISTING - PRESSER FOOT COMPONENTS (1)

ITEM	QTY	PART No.	DESCRIPTION
1	1	119-06302	Presser Foot Lifting Lever
2	1	WZ-0641510-KP	Waved Washer
3	1	SD-0630371-SP	Hinge Screw
4	1	SS-8110422-TP	Screw
5	1	118-20602	Stopper
6	1	118-20909	Spring
7	1	118-20503	Washer
8	1	SS-6110610-TP	Screw
9	1	119-06203	Presser Lifting Bar
10	1	118-20164	Presser Bar Assembly
11	1	B1515-804-00B	Presser Spring
12	1	118-20214	Presser Spring Regulator
13	1	SS-8110510-SP	Screw
14	1	B1534-804-000	Presser Foot Arm Hinge Shaft
15	1	115-21002	Presser Foot Shaft
16	1	SS-8120740-SP	Screw
17	1	115-21101	Bushing
18	1	118-19703	Presser Foot Arm Spring
19	1	118-19414	Lifting Hook
20	1	118-19505	Lifting Arm
21	1	B1536-804-000	Pin
22	1	B1535-804-0A0	Presser Foot Shaft Thrust Arm Assy
23	1	SS-9151210-TP	Screw
24	1	SS-6151201-SP	Screw
25	1	NS-6150310-SP	Nut
26	1	SS-7161040-SP	Screw
27	1	118-19307	Lifting Lever
28	1	118-19109	Lifting Lever Screw
29	1	118-19208	Lifting Lever Spring
30	1	NS-6110420-SP	Nut
31	1	SS-7111410-SP	Screw
32	1	B1529-804-000	Presser Foot Lifting Lever Stopper
33	1	CPT151606	Presser Foot Arm Link
34	1	CPT151612	Presser Foot Arm Link Clamp Plate
35	2	C044008SCS	Screw



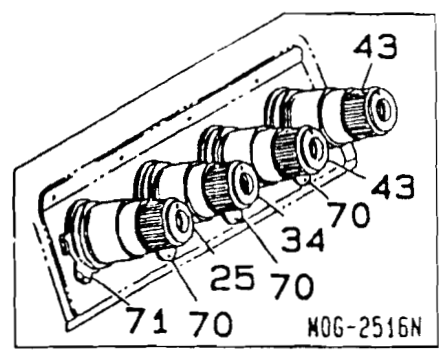
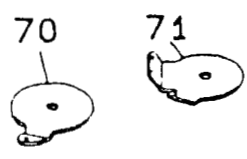
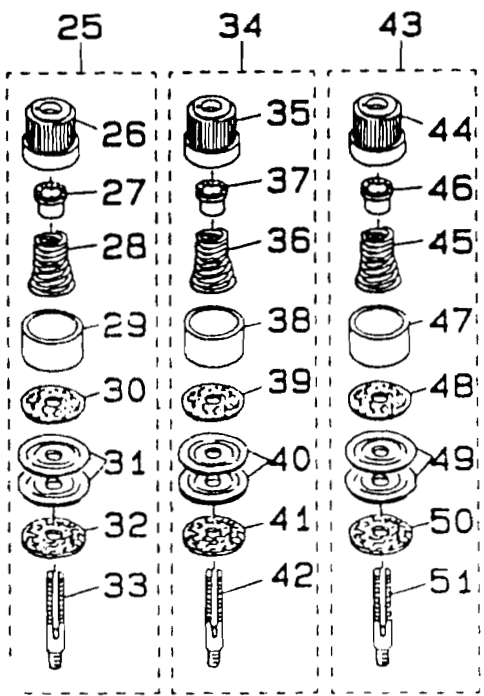
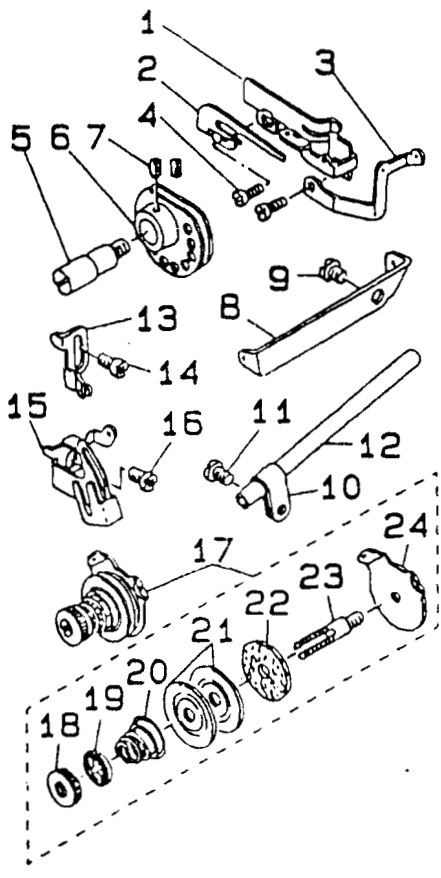
PARTS LISTING - PRESSER FOOT COMPONENTS (2)

ITEM	QTY	PART No.	DESCRIPTION
41	1	CPT151616	Presser Foot Arm
42	1	CPT251631	Presser Foot Arm Catch
43	1	APT251618	Presser Foot Hold Down Bar
44	2	C083206FHSC	Flat Head Screw
45	1	C115-21705	Hinge Arm
46	1	CSS-6090650-SP	Screw
47	3	C115-22703	Hinge Screw
48	1	C115-21507	Presser Foot Hinge
49	1	C115-21903	Thread Trimmer
50	2	C044006SCS	Screw
53	1	CPT251630	Presser Foot



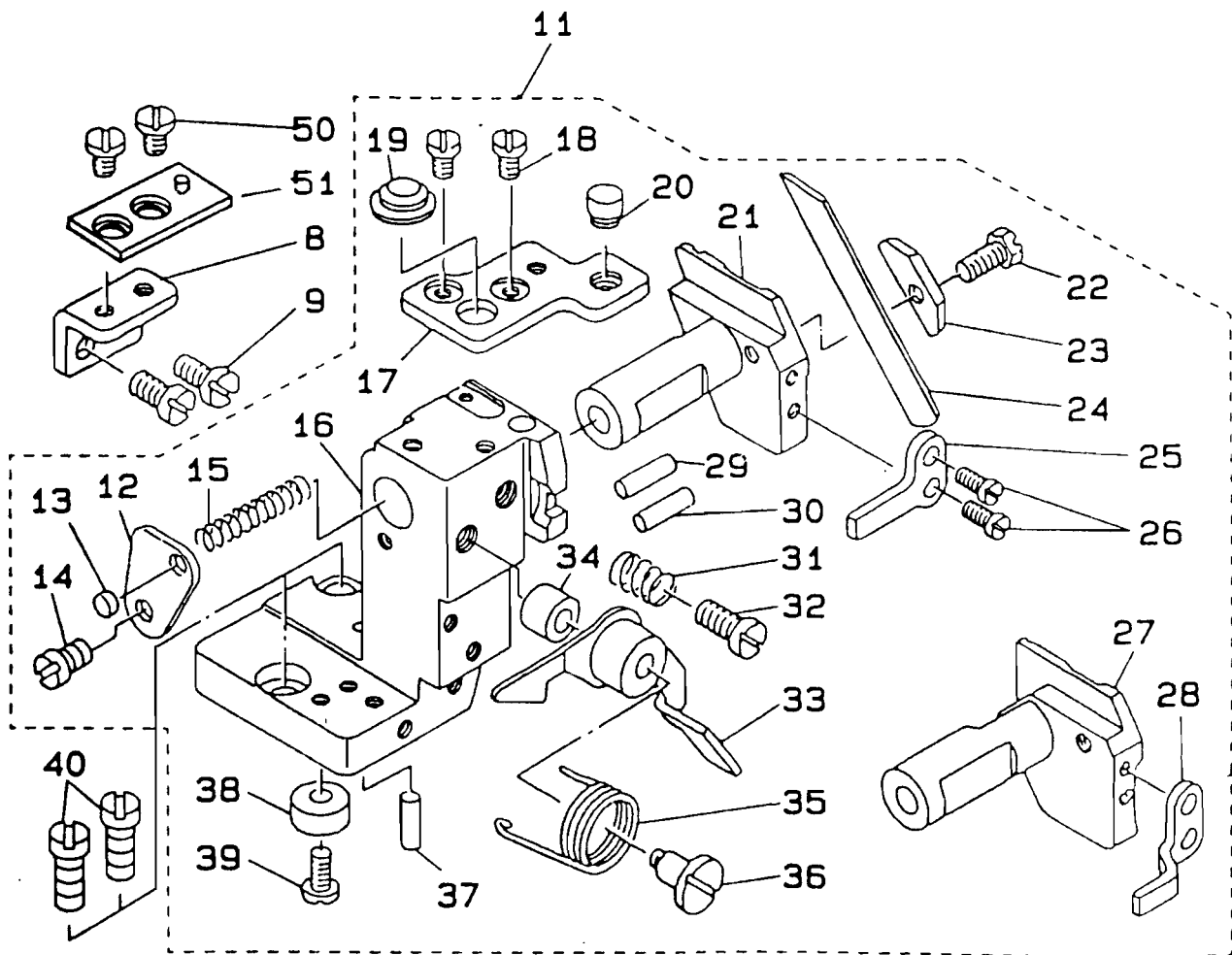
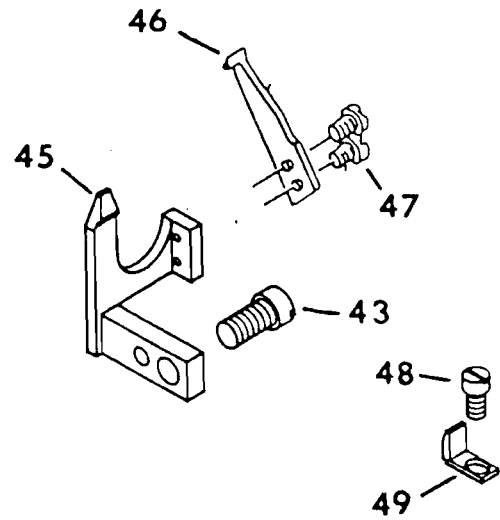
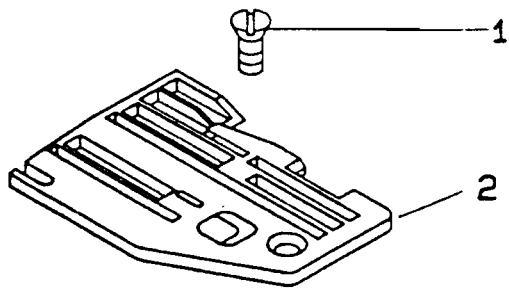
PARTS LISTING - UPPER KNIFE COMPONENTS

ITEM No.	QTY	PART No.	DESCRIPTION
1	1	B1403-352-C00	Crank Pin
2	1	115-65058	Upper Knife Driving Arm Assembly
3	1	SS-9661230-CP	Screw
4	1	115-65306	Bushing, Rear
5	1	CS-111101E-SH	Thrust Collar Assembly
6	2	SS-8660330-SP	Screw
7	1	115-65801	Upper Knife Guide Shaft
8	1	118-45203	Knife Driving Arm Shaft
9	1	SS-4060310-SP	Screw
10	1	115-66809	Oil Seal
11	1	115-65207	Bushing, Front
12	1	SS-8120740-SP	Screw
23	1	115-65702	Washer
24	1	SS-4060319-SP	Screw
25	1	C115-65504	Upper Knife Presser Plate
26	1	C115-65603	Upper Knife Cover
29	1	SS-7092110-TP	Screw
30	1	115-65405	Upper Knife Support
31	1	NS-6090310-SP	Nut
32	1	C115-65900	Upper Knife
33	1	SS-9112420-TP	Screw



## PARTS LISTING - THREAD TENSION COMPONENTS

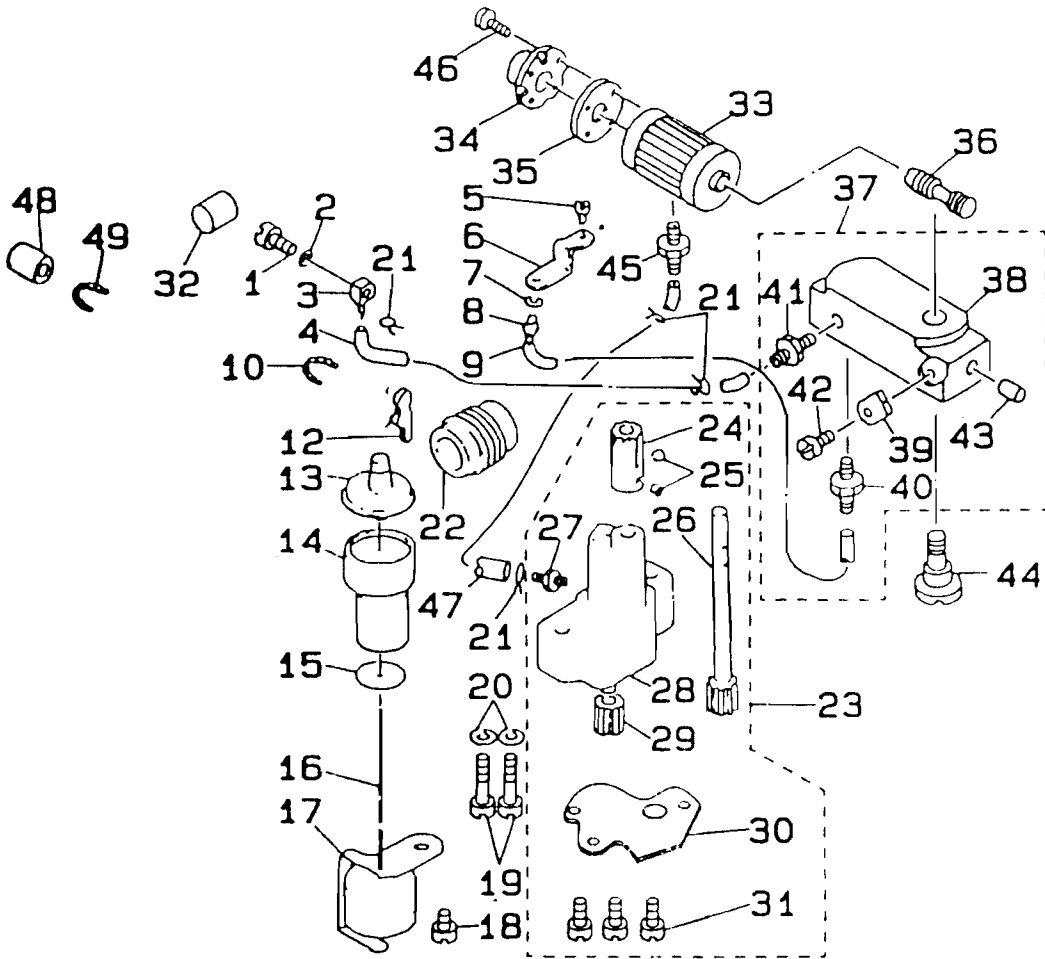
ITEM No.	QTY	PART No.	DESCRIPTION
1	1	118-29504	Chain Looper Thread Guide
2	1	B2204-816-000	Hook
3	1	118-29603	Chain Looper Thread Guide
4	2	SS-4090615-SP	Screw
5	1	B2202-816-000	Shaft
6	1	B2201-816-000	Thread Cam
7	2	SS-8110410-TP	Screw
8	1	B2402-716-000	Looper Thread Guide Tube Guide
9	1	SS-5150510-SP	Screw
10	1	B3113-352-000	Mounting Bracket
11	1	SS-4120615-SP	Screw
12	1	B2401-816-000	Looper Thread Guide Tube
13	1	118-16709	Needle Thread Guide
14	1	SS-4110715-SP	Screw
15	1	120-03703	Needle Thread Guide
16	1	SS-4110715-SP	Screw
17	1	115-50852	Tension Controller Assembly
18	1	B2314-019-000	Tension Post Nut
19	1	B3120-125-000	Rotating Stopper
20	1	B2017-372-000	Tension Spring No. 1
21	2	B3126-012-000	Thread Tension Disk
22	1	B3120-352-000	Thread Tension Spring Felt
23	1	115-50803	Thread Tension Post
24	1	115-50308	Thread Guide
25	1	120-25854	Thread Tension Spring Junction
26	1	119-57107	Thread Tension Knob, Purple
27	1	B3112-704-000	Tension Spring Bushing
28	1	115-50100	Tension Spring, Purple
29	1	119-57305	Tension Disk Presser
30	1	B3120-704-000	Thread Tension Spring Felt
31	2	B3126-012-000	Thread Tension Disk
32	1	B3120-352-000	Thread Tension Spring Felt
33	1	N3105-804-000	Tension Post
34	1	120-25953	Thread Tension Post Assembly, Green
35	1	119-57206	Thread Tension Knob, Green
36	1	115-50209	Tension Spring, Green
37	1	B3112-704-000	Tension Spring Bushing
38	1	119-57305	Tension Disk Presser
39	1	B3120-704-000	Thread Tension Spring Felt
40	2	B3126-012-000	Thread Tension Disk
41	1	B3120-352-000	Thread Tension Spring Felt
42	1	B3105-804-000	Tension Post
43	1	119-56752	Thread Tension Spring Junction
44	1	119-56703	Thread Tension Pick-up, Red
45	1	B3101-804-000	Tension Spring, Red
46	1	B3112-704-000	Tension Spring Bushing
47	1	119-57305	Tension Disk Presser
48	1	B3120-704-000	Thread Tension Spring Felt
49	2	B3126-012-000	Thread Tension Disk
50	1	B3120-352-000	Thread Tension Spring Felt
51	1	B3105-804-000	Tension Post
70	3	B3109-704-000	Thread Guide
71	1	115-51009	Tension Disk Thread Guide



## PARTS LISTING - THROAT PLATE &amp; LOWER KNIFE COMPONENTS

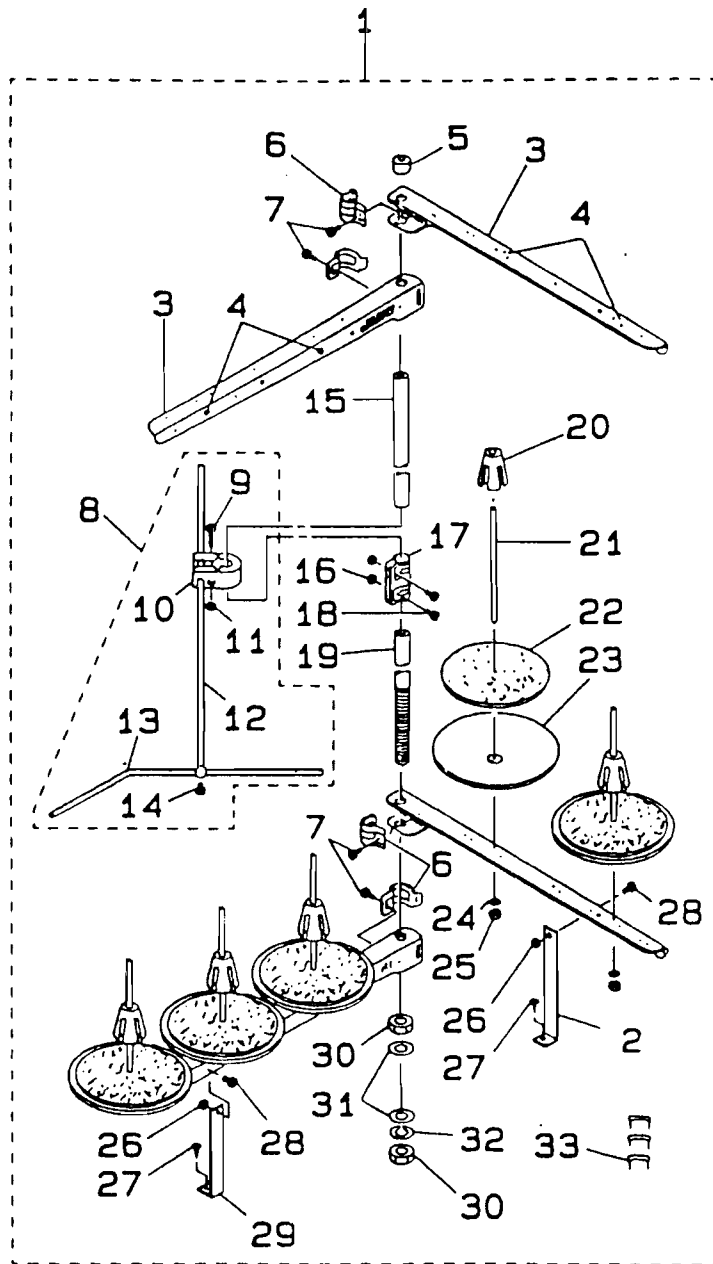
ITEM	QTY	PART No.	DESCRIPTION
----	----	-----	-----
1	1	SS-2110910-SD	Screw
2	1	C18040	Throat Plate
8	1	118-04408	Throat Plate Base B Retainer
9	2	SS-6121010-SP	Screw
11	1	120-05567	Lower Knife Bracket
12	1	118-46904	Spring Stopper
13	1	118-06304	Plug
14	1	SS-7110720-SP	Screw
15	1	118-46607	Spring
16	1	118-47811	Lower Knife Support Bracket
17	1	118-04507	Throat Plate Base A
18	2	SS-6110110-TP	Screw
19	1	118-04713	Rubber Plug
20	1	119-46909	Plug
21	1	118-46219	Lower Knife Slide Stud
22	1	SS-9111010-SP	Screw
23	1	115-66403	Lower Knife Presser Plate
24	1	C115-66502	Lower Knife
25	1	118-46417	Rotating Stopper
26	2	SS-7090710-SP	Screw
27	1	120-05005	Lower Knife Slide Stud
28	1	120-05104	Rotating Stopper
29	1	118-46805	Holder Pin
30	1	118-46805	Holder Pin
31	1	B4115-704-000	Spring
32	1	SS-7151120-SP	Screw
33	1	118-01867	Lever
34	1	118-02105	Rubber Plug
35	1	118-02014	Lever Spring
36	1	SD-0601021-SP	Hinge Screw
37	1	118-46805	Holder Pin
38	1	B2739-761-000	Washer
39	1	SS-7110840-SP	Screw
40	2	SS-6151440-SP	Screw
43	1	SS-7110840-SP	Screw
45	1	CPT251604	Needle Guard
46	1	C118-90605	Needle Holder
47	2	C025603BHS	Screw
48	1	SS-7090510-SP	Screw
49	1	CPT251607	Needle Guard
50	2	SS-6110610-TP	Screw
51	1	APT251615	Throat Plate Base





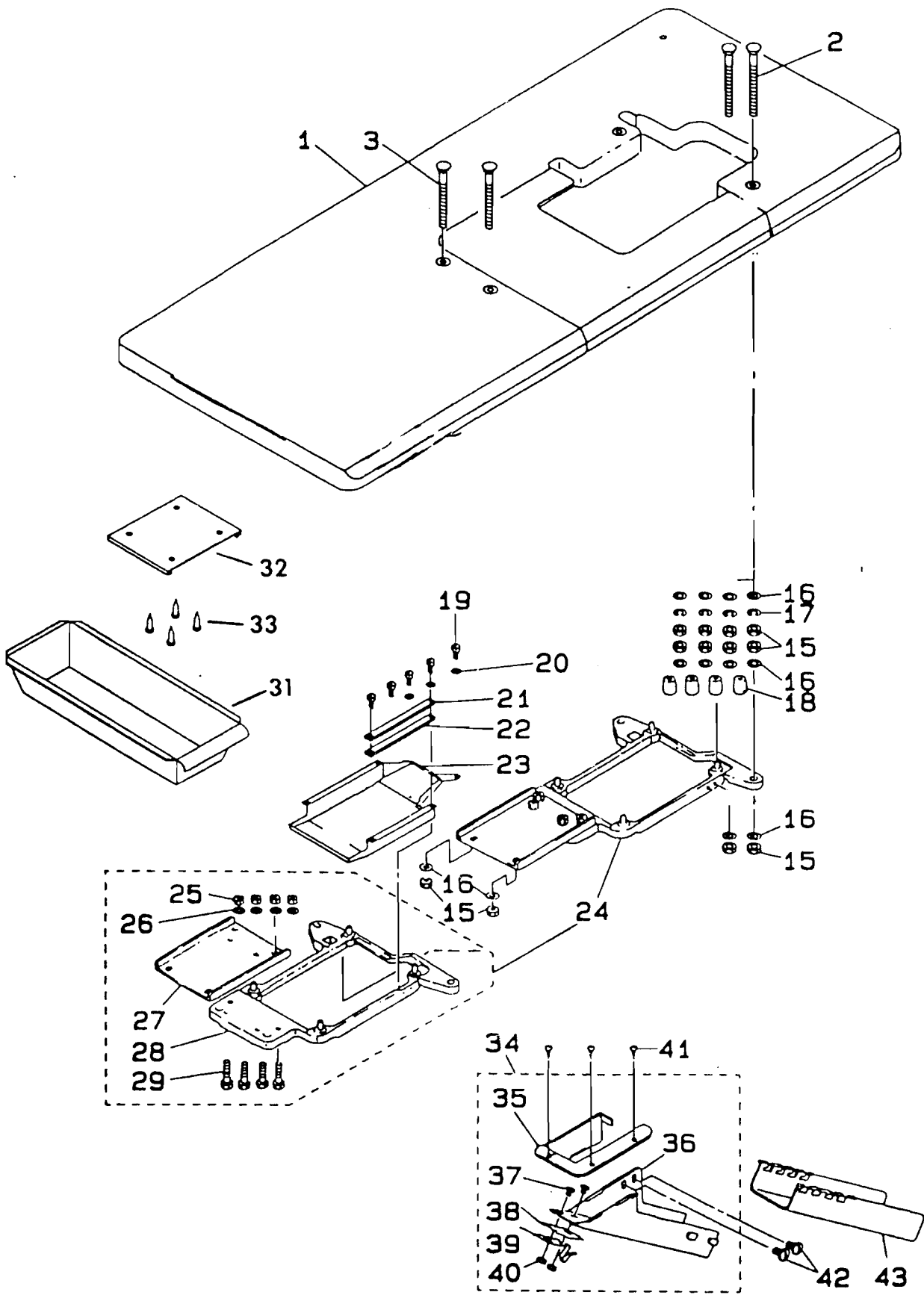
PARTS LISTING - LUBRICATION MECHANISM COMPONENTS

ITEM	QTY	PART No.	DESCRIPTION
----	----	-----	-----
1	1	B3525-357-000	Connecting Screw
2	1	WP-0520656-SA	Washer
3	1	SQ-0000404-MZ	Connecting Screw
4	0.2	BT-0500300-EA	Oil Tube
5	1	SS-6110610-TP	Screw
6	1	118-40709	Oil Exhaust Holder
7	1	WP-0480856-SP	Washer
8	1	SQ-1110401-MZ	Connecting Screw
9	0.2	BT-0500300-EA	Oil Tube
10	0.1	CQ-2000000-00	Oil Wick
12	1	118-41608	Upper Looper Guide Oil Felt
13	1	118-40808	Oil Gauge
14	1	118-40907	Oil Gauge Holder
15	1	118-41905	Washer
16	1	118-41053	Float Assembly
17	1	118-41202	Float Support
18	1	SS-4150715-SP	Screw
19	2	SS-9152130-CP	Screw
20	2	WP-0651056-SH	Washer
21	4	101-26803	Oil Tube Holder
22	1	118-40600	Worm
23	1	118-43851	Oil Pump Assembly
24	1	118-41707	Worm Gear
25	2	SS-8110410-TP	Screw
26	1	118-41855	Oil Pump Shaft Large Assembly
27	1	SQ-1150451-MZ	Connecting Screw
28	1	118-40162	Oil Pump Assembly
29	1	118-40303	Oil Pump Pinion
30	1	118-43406	Cover
31	3	SS-6090650-SP	Screw
32	1	118-14712	Filter
33	1	118-43208	Cartridge Filter
34	1	118-43000	Filter Cover
35	1	118-43109	Filter Packing
36	1	118-43307	Filter Guide
37	1	118-43554	Distribution Block Assembly
38	1	118-43505	Distribution Block
39	1	118-43703	Worm Joint
40	1	SQ-1150451-MZ	Connecting Screw
41	1	SQ-1150453-MZ	Connecting Screw
42	1	B3525-357-000	Connecting Screw
43	1	TA-0370301-MO	Plug
44	1	118-43604	Distribution Screw
45	1	SQ-1680451-MZ	Filter Joint
46	4	SS-4110915-SP	Screw
47	0.1	BT-0500300-EA	Oil Tube
48	1	118-34603	Oil Supply Bushing
49	0.1	CQ-2020000-00	Oil Wick



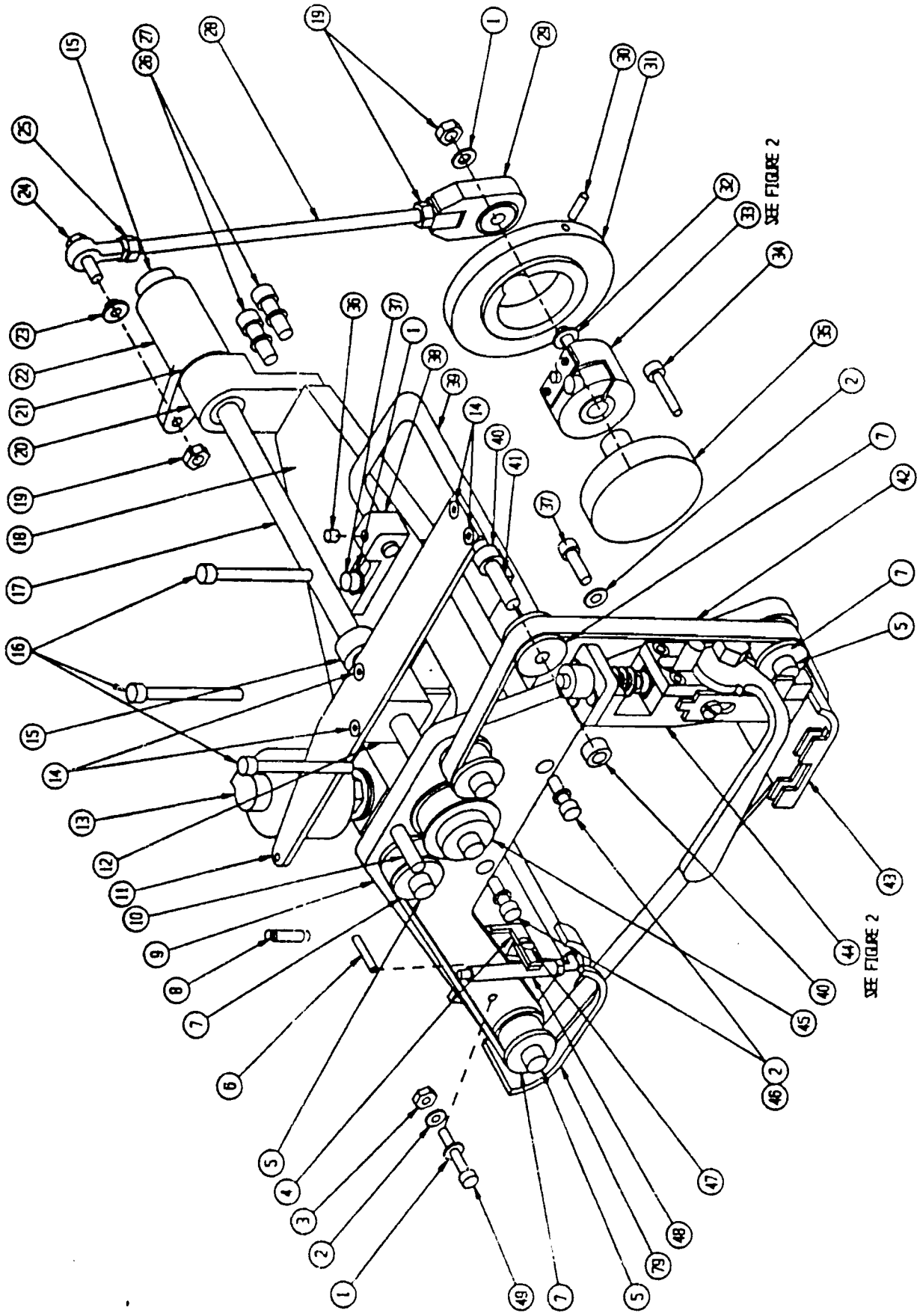
## PARTS LISTING - THREAD STAND COMPONENTS

ITEM	QTY	PART NO.	DESCRIPTION
----	---	-----	-----
1	1	120-26050	Thread Stand Assembly
2	1	B3321-704-L0B	Spool Rest Arm Support B
3	4	119-57602	Thread Guide Arm A
4	5	B3319-704-L00	Thread Guide
5	1	111-84108	Spool Rest Rod Rubber Cap
6	4	B3318-704-L00-A	Thread Guide Arm Joint
7	4	SM-6061610-SC	Screw
8	1	B3309-704-0A0	Thread Guide Arm Assembly
9	1	SM-6053000-SE	Screw
10	1	B3304-704-000-A	Thread Guide Arm Holder
11	1	NM-6050001-SE	Nut
12	1	B3309-704-000	Thread Guide Arm
13	1	B3311-804-000	Lower Thread Guide
14	1	SS-7110540-SP	Screw
15	1	119-57503	Spool Rest Rod, Upper
16	2	NM-6050001-SE	Nut
17	1	B3305-704-000-A	Spool Rest Rod Joint
18	2	SM-4051405-SE	Screw
19	1	119-57404	Spool Rest Rod, Lower
20	5	111-84009	Spool Retainer
21	5	B3320-704-L00-A	Spool Pin
22	5	B3311-012-000	Spool Rest Cushion
23	5	111-83902	Spool Rest
24	5	WS-0510002-KN	Spring Washer
25	5	NM-6050001-SE	Nut
26	2	NM-6060001-SE	Nut
27	2	SK-3382001-SE	Screw
28	2	SM-4061201-SE	Screw
29	1	B3321-704-L00	Spool Rest Arm Support
30	2	B3317-704-000	Nut
31	2	WP-1702600-SO	Washer
32	1	WS-1643202-KR	Spring Washer
33	3	MAO-11532000	Cord Staple



## PARTS LISTING - TABLE COMPONENTS

ITEM	QTY	PART NO.	DESCRIPTION
----	---	-----	-----
1	1	119-59558	Table Assembly
2	2	115-71809	Bolt
3	2	115-71908	Bolt
15	12	NS-6240630-SN	Nut
16	12	WP-1102016-SC	Washer
17	4	WS-1002560-KR	Spring Washer
18	4	115-71403	Rubber Cushion
19	5	SS-6090630-SP	Screw
20	3	WP-0370316-SD	Washer
21	1	118-50708	Case Presser Plate
22	1	118-50807	Case Sponge
23	1	118-49403	Cooling Fan Case
24	1	118-49379	Frame Support Plate Assembly
25	4	NM-6080600-SM	Nut
26	4	WP-0850002-SC	Washer
27	1	118-50906	Frame Support Auxiliary Plate
28	1	118-49361	Frame Support Plate Assembly
29	4	SM-9082513-CF	Screw
31	1	CT333	Drawer
32	1	CT333S	Drawer Support
33	4	C1012SMS	Screw
34	1	119-62859	Cloth Waste Chute Assembly
35	1	119-62800	Cloth Waste Chute Inlet
36	1	119-62909	Cloth Waste Chute, Upper
37	3	SS-5090610-SP	Screw
38	1	119-80307	Waste Chute Inlet Rubber
39	1	119-80406	Chute Inlet Rubber Presser
40	3	NS-6090310-SP	Nut
41	3	SK-2351600-SC	Screw
42	2	SS-5110710-SP	Screw
43	1	118-49908	Waste Chute

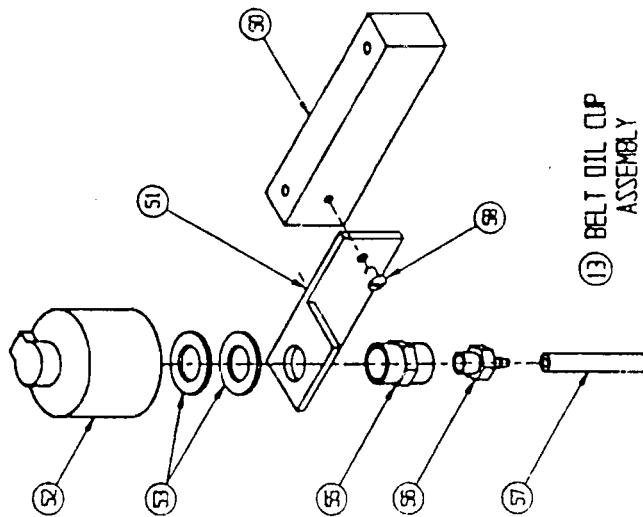
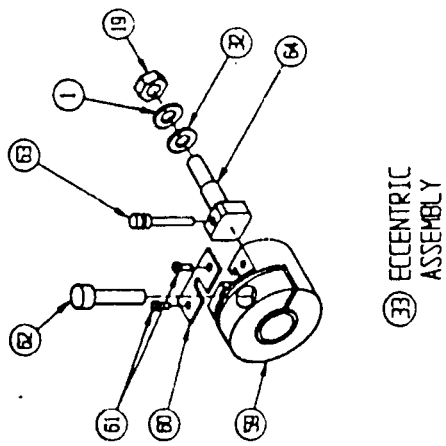
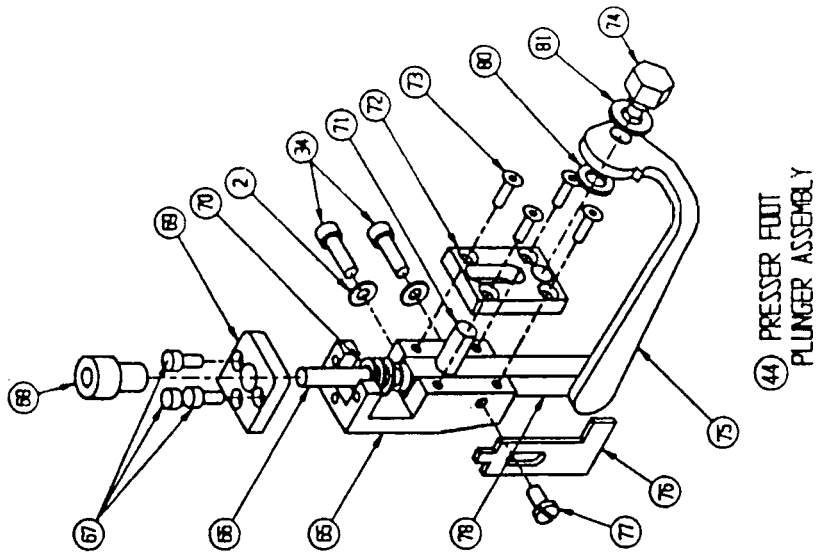


SEE FIGURE 2

SEE FIGURE 2

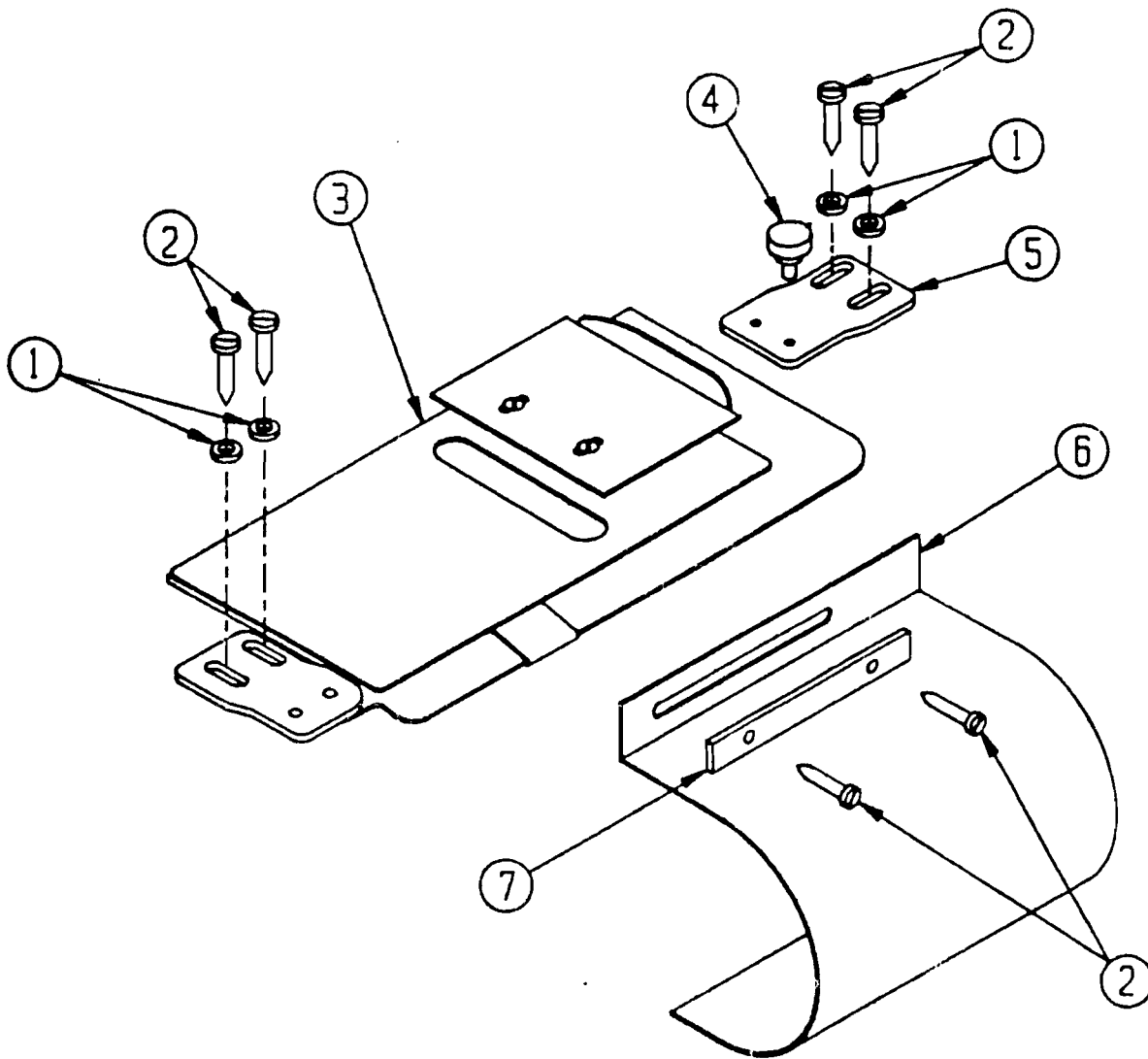
PARTS LISTING - GALKIN POWER-TRAC COMPONENTS (1)			
ITEM	QTY	PART NO.	DESCRIPTION
1	3	C10STW	Washer
2	5	C10LKW	Lockwasher
3	1	C1032STN	Hex Nut
4	1	CPT251611	Belt Oiler Bracket
5	4	C2510SHS	Shoulder Screw
6	1	C1208GRP	Spring Anchor Pin
7	5	CPT57907	Idler Roller
8	1	CB463	Tension Arm Spring
9	1	CPT151602	Roller Mounting Plate
10	1	C2516RLP	Belt Guard Pin
11	1	CPT151608	Belt Tension Arm
12	1	APT151609	Tension Arm Bearing. Block (with Brg.)
13	1	APT251609	Belt Oil Cup Assembly (see Figure 2)
14	4	C063204FHSC	Flat Head Screw
15	2	C37STC	Shaft Collar
16	3	C102432SCS	Socket Cap Screw
17	1	CPT151604	Belt Drive Shaft
18	1	CPT251601	Top Mounting Plate
19	3	CB405	Hex Nut - Heavy
20	1	APT151603	Bearing Block (with Clutch Bearing)
21	2	CB204-2	Thrust Washer
22	1	APT524	Clutch Housing Assy (with 2 Clutches)
23	1	C823B	Shoulder Washer
24	1	C11508	Rod End - Top
25	1	CB406	Hex Nut - Heavy (Left Hand)
26	2	C252014SCS	Cap Screw
27	2	C25LKW	Lockwasher
28	1	C398-6	Connecting Rod - 6" Long
29	1	C11507	Rod End - Bottom
30	3	C103212SSS	Set Screw
31	1	A760071	Hand Wheel (with Set Screws)
32	1	C25HVW	Washer - Heavy
33	1	A750005A	Eccentric Assembly (see Figure 2)
34	3	CSS7112420SP	Cap Screw
35	1	CPT251613	Pulley Adapter
36	1	C103203SSS	Set Screw
37	3	C103212SCS	Cap Screw
38	1	APT251621	Thread Guide Bracket
39	1	C118-36202	Thread Guide
40	2	C25STC	Shaft Collar
41	1	CPT151610	Tension Roller Shaft
42	1	CB335	Top Feed Belt (KEVLAR Reinforced)
		or CB335S	Top Feed Belt (STEEL Reinforced)
43	1	CPT251630	Presser Foot
44	1	APT251622	Presser Foot Plunger Assembly
45	1	CB305M	Top Belt Feed Drive Pulley
46	2	C102410SCS	Cap Screw
47	2	C064004PHS	Screw





## PARTS LISTING - GALKIN POWER-TRAC COMPONENTS (2)

ITEM	QTY	PART NO.	DESCRIPTION
----	----	-----	-----
48	1	A118-54403	Belt Oiler Wick Assembly
49	1	C103214SCS	Cap Screw
50	1	CPT251602	Mounting Plate Spacer
51	1	CPT251610	Belt Oil Cup Bracket
52	1	C231D032	Belt Oil Cup
53	2	CB457	Washer - Spacer
55	1	CB619	Hex Brass Coupling
56	1	CB569	1/8 Barb Fitting
57	1	CB532	1/8 I.D. Tubing (with Oil Wick)
58	1	C064004PHS	Pan Head Screw
59	1	A750005	Eccentric Body (with Pinch Screw)
60	1	C11509	Eccentric Cap Plate
61	2	C87U	Cap Plate Screw
62	1	C252012SCS	ap Screw (for Item 59)
63	1	CB404	Eccentric Adjusting Screw
64	1	C11502	Eccentric Adjusting Stud
65	1	CPT251623	Plunger Bracket
66	1	CPT251626	Plunger Pressure Stud
67	3	C083206SCS	Cap Screw
68	1	CPT251628	Plunger Pressure Adjusting Screw
69	1	CPT251625	Plunger Top Plate
70	1	CPT251629	Plunger Pressure Spring
71	1	C261D051	Vertical Shaft Stud
72	1	CPT251624	Plunger Cover Plate
73	4	C083206FHSC	Flat Head Screw
74	1	CPT251632	Shoulder Bolt
75	1	C261D049B	Plunger Lift Lever
76	1	C750062	Guide Plate
77	1	C103206BHS	Binding Head Screw
78	1	CPT251627	Plunger Shaft
79	1	CPT151619	Rear Belt Guard
80	1	CB205-31	Fiber Washer
81	1	C261D05231	Spring Washer



PARTS LISTING - FLANGE GUIDE COMPONENTS

ITEM	QTY	PART No.	DESCRIPTION
1	4	C10STW	Washer
2	6	C1016SMS	Screw
3	1	A18142	Adjustable Flange Guide Assembly
4	1	CB407	Thumb Screw
5	1	A18146	Flange Guide Catch Bracket
6	1	CPT151618	Flange Guard
7	1	CPT151619	Washer Plate